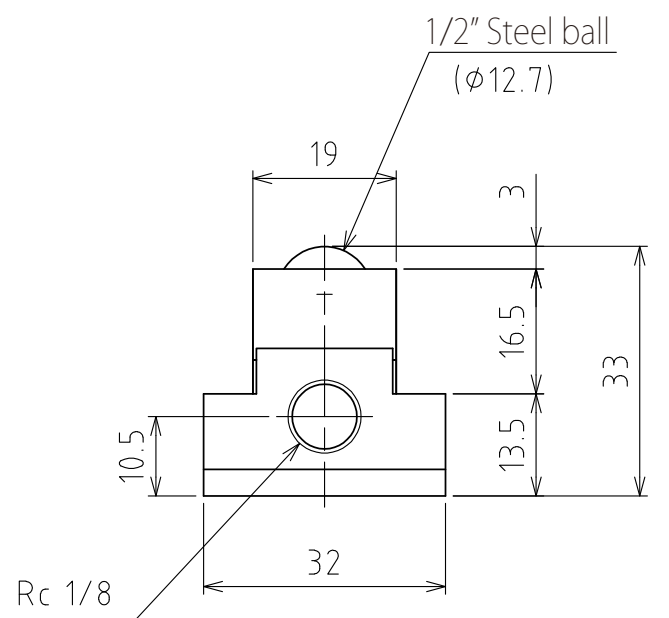
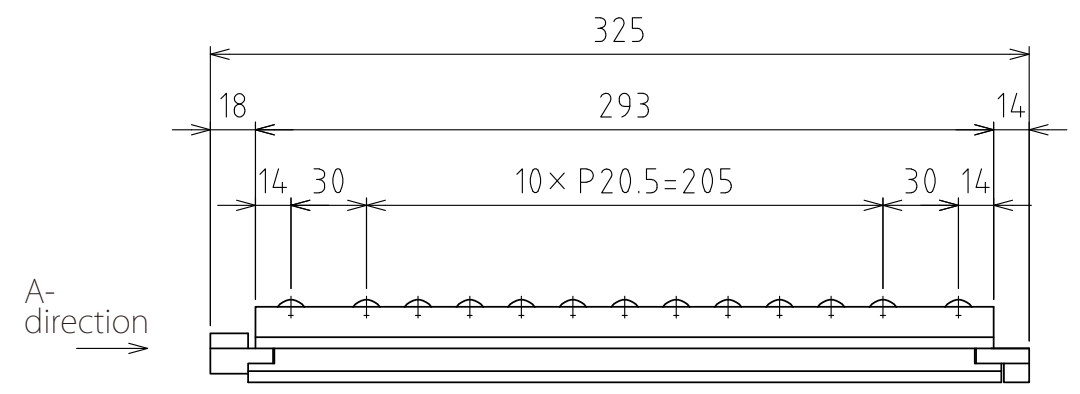
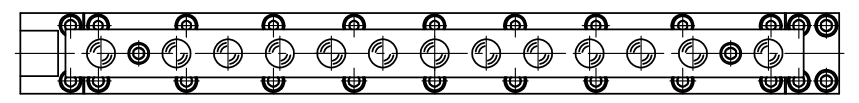
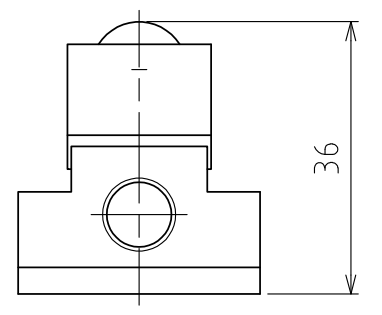


1 2 3 4 5 6 7 8

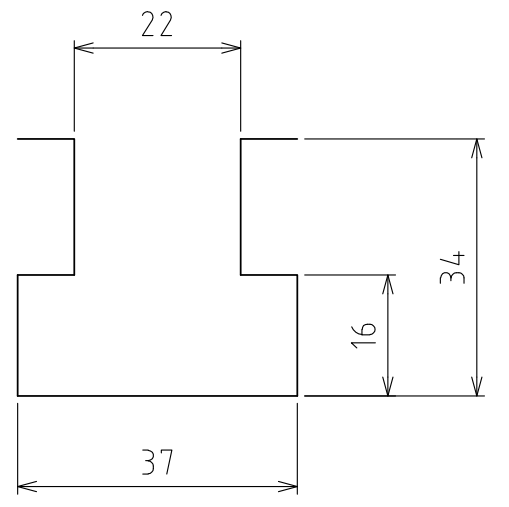
A
B
C
D
E
F



View A



(Scale 1:1)



spec

Series	AFU-1932 series	
Material	Ball	SUJ2
	Ball seat	SCM415
	Body	Steel
Means to lower the balls	Spring return system (lowers by exhausting)	
Weight	1.5kg	

Capacity	Air pressure [MPa(kgf/cm ²)]	Load capacity (Unit) [kN(kgf)]
	0.3 (3.1)	0.98(100.0)
	0.4 (4.1)	1.18(120.3)
	0.5 (5.1)	1.57(160.1)
	0.6 (6.1)	1.96(199.9)

設計 DESIGNED BY	古内	2021/07/26	名称 TITLE	Pneumatically Actuated freebear unit
製図 DRAWN BY	古内	2021/07/26	AFU-1932-325	
検図 CHECKED BY	坂根	21.11.29	承認 APPROVED BY	花村
尺度 SCALE	1:3	サイズ SIZE	A3	図面番号 DRAWING NO.
第三角法				変更回数 REV.MARK
				SAU04001-F03

1 2 3 4 5 6 7 8