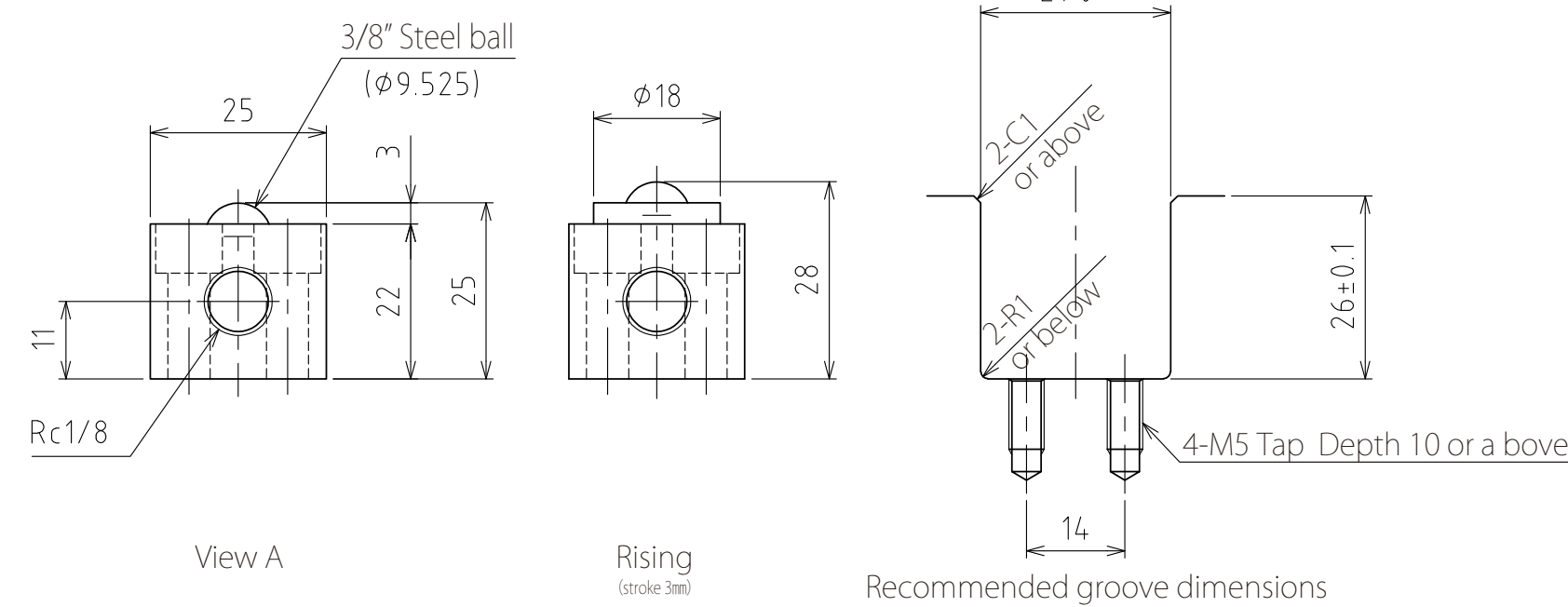


spec

| | | |
|----------|-----------------|--------|
| Series | AFU-2525 series | |
| Freebear | 17pcs | |
| Material | Ball | SUJ2 |
| | Ball seat | SCM415 |
| | Body | Steel |
| Weight | 1.9kg | |

| Capacity | Air pressure [MPa(kgf/cm ²)] | Load capacity (Unit) [kN(kgf)] | Load capacity (One freebear) [kN(kgf)] |
|----------|---|-------------------------------------|---|
| | 0.3 (3.1) | 1.19(121.6) | 0.07(7.2) |
| | 0.4 (4.1) | 1.53(156.4) | 0.09(9.2) |
| | 0.5 (5.1) | 2.04(209.1) | 0.12(12.3) |
| | 0.6 (6.1) | 2.38(243.1) | 0.14(14.3) |



| | | | | |
|----------------|-----------|----------------|-------------------------------|--------------------------------------|
| 設計 DESIGNED BY | 古内 | 2021/07/27 | 名称 TITLE | Pneumatically Actuated freebear unit |
| 製図 DRAWN BY | 古内 | 2021/07/27 | | |
| 検図 CHECKED BY | 技術部 坂根 | 承認 APPROVED BY | 技術部 花村 | AFU-2525-17 |
| 尺度 SCALE | 1:2 | サイズ SIZE | A3 | |
| 第三角法 | | | 図面番号 DRAWING NO. SD-00258-F02 | |
| FREEBEAR | | | 変更回数 REV.MARK | |