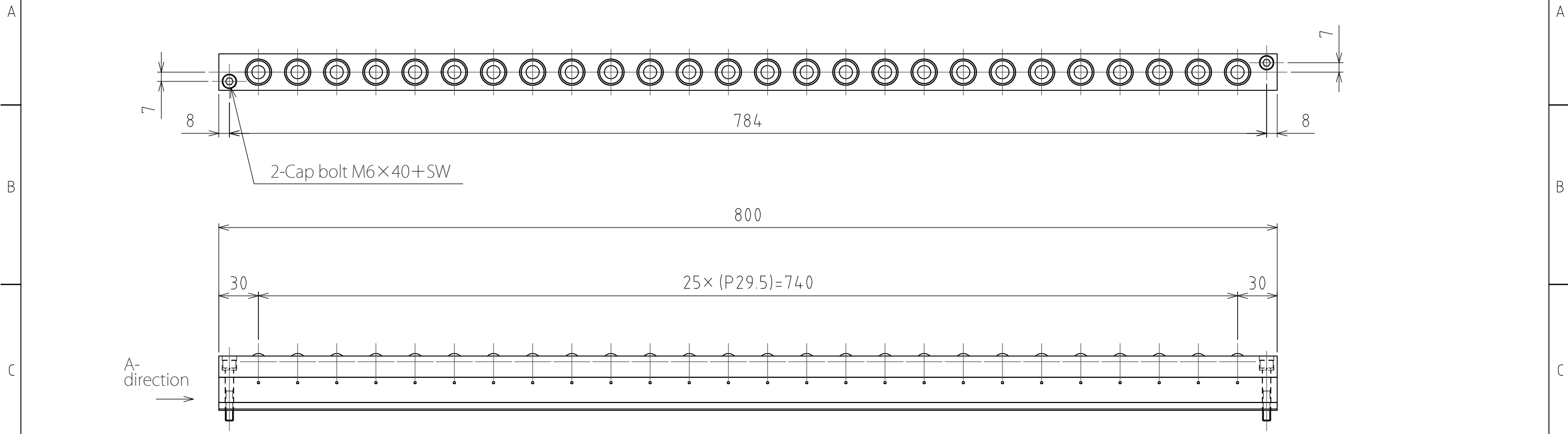


1 2 3 4 5 6 7 8



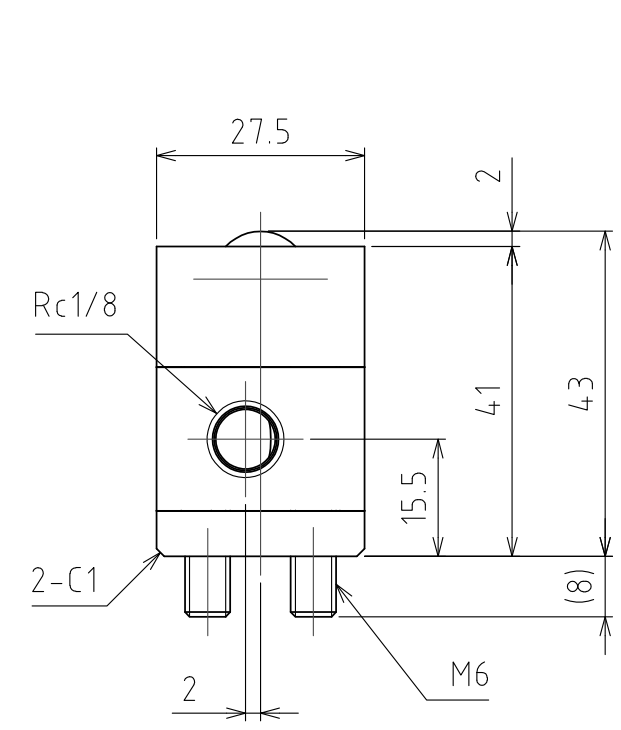
A-direction  
→

2-Cap bolt M6×40+SW

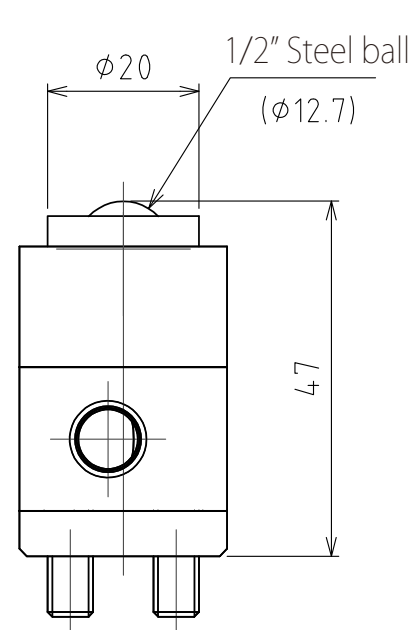
784

800

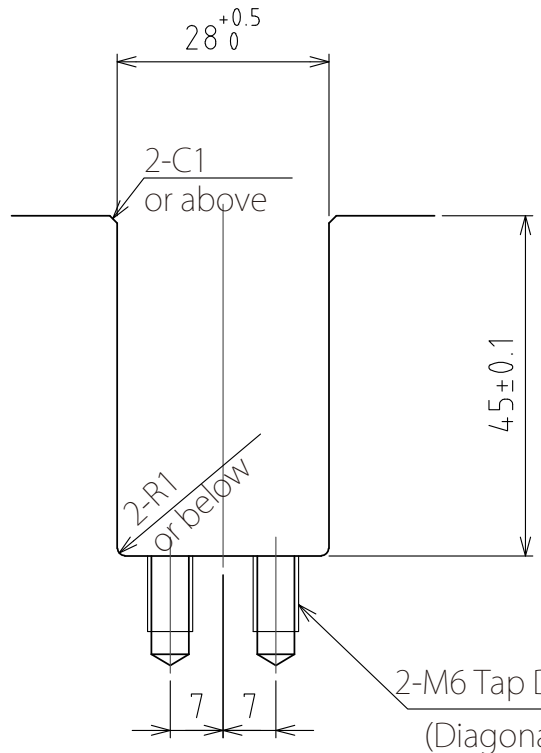
25 × (P29.5) = 740



View A



Rising  
(stroke 4mm)



Recommended groove dimensions

2-M6 Tap Depth 10 or above  
(Diagonal stop)

(Scale 1:1)

spec

Series	AFU-2743W series	
Freebear	26pcs	
Material	Ball	SUJ2
	Ball seat	SCM415
	Body	Steel
Weight	6.2kg	

Capacity	Air pressure [ MPa(kgf/cm <sup>2</sup> ) ]	Load capacity (Unit) [ kN(kgf) ]	Load capacity (One freebear) [ kN(kgf) ]
	0.3 (3.1)	4.97(507.0)	0.19(19.5)
0.4 (4.1)	6.62(676.0)	0.25(26.0)	
0.5 (5.1)	8.41(858.0)	0.32(33.0)	
0.6 (6.1)	9.94(1014.0)	0.38(39.0)	

設計 DESIGNED BY	古内	2021/07/27
製図 DRAWN BY	古内	2021/07/27
検図 CHECKED BY	坂根	21.11.11
承認 APPROVED BY	花村	21.11.16

名称 TITLE  
Pneumatically Actuated  
freebear unit

尺度 SCALE 1:3 サイズ SIZE A3  
第三角法

AFU-2743W-26-800



図面番号 DRAWING NO. SD-00298-F04  
変更回数 REV.MARK

1 2 3 4 5 6 7 8