

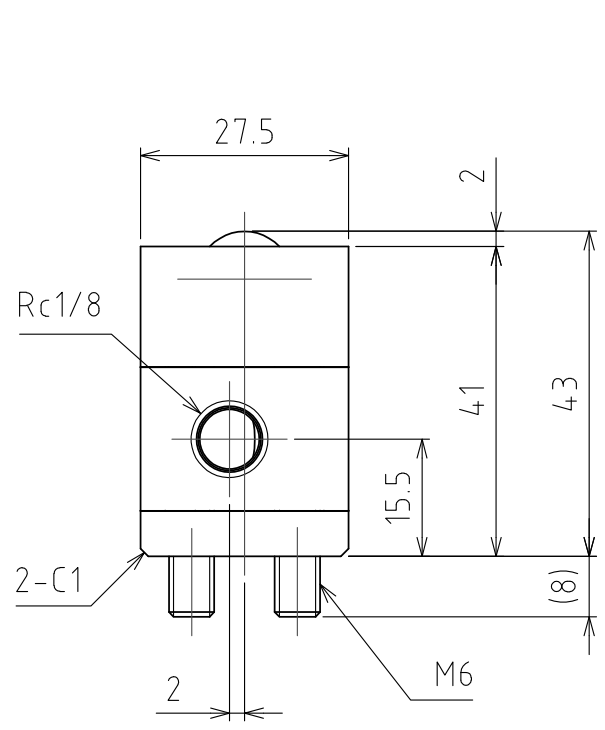
A-direction  
→

2-Cap bolt M6×40+SW

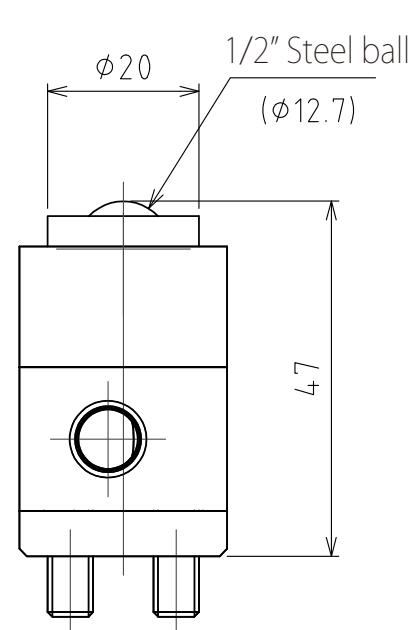
884

900

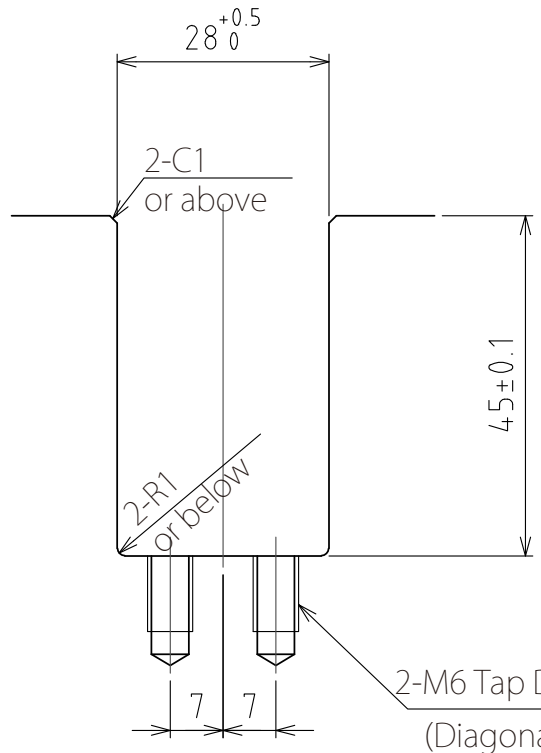
28×P30=840



View A



Rising  
(stroke 4mm)



Recommended groove dimensions

spec

Series	AFU-2743W series	
Freebear	29pcs	
Material	Ball	SUJ2
	Ball seat	SCM415
	Body	Steel
Weight	7kg	

Capacity	Air pressure [ MPa(kgf/cm <sup>2</sup> ) ]	Load capacity (Unit) [ kN(kgf) ]	Load capacity (One freebear) [ kN(kgf) ]
	0.3 (3.1)	5.55(565.5)	0.19(19.5)
0.4 (4.1)	7.39(754.0)	0.25(26.0)	
0.5 (5.1)	9.38(957.0)	0.32(33.0)	
0.6 (6.1)	11.09(1131.0)	0.38(39.0)	

設計 DESIGNED BY	古内	2021/07/27
製図 DRAWN BY	古内	2021/07/27
検図 CHECKED BY	坂根	21.11.11
承認 APPROVED BY	花村	21.11.16

名称 TITLE  
Pneumatically Actuated  
freebear unit

尺度 SCALE 1:3 サイズ SIZE A3  
第三角法

AFU-2743W-29-900



図面番号 DRAWING NO. SD-00299-F04  
変更回数 REV.MARK

(Scale 1:1)