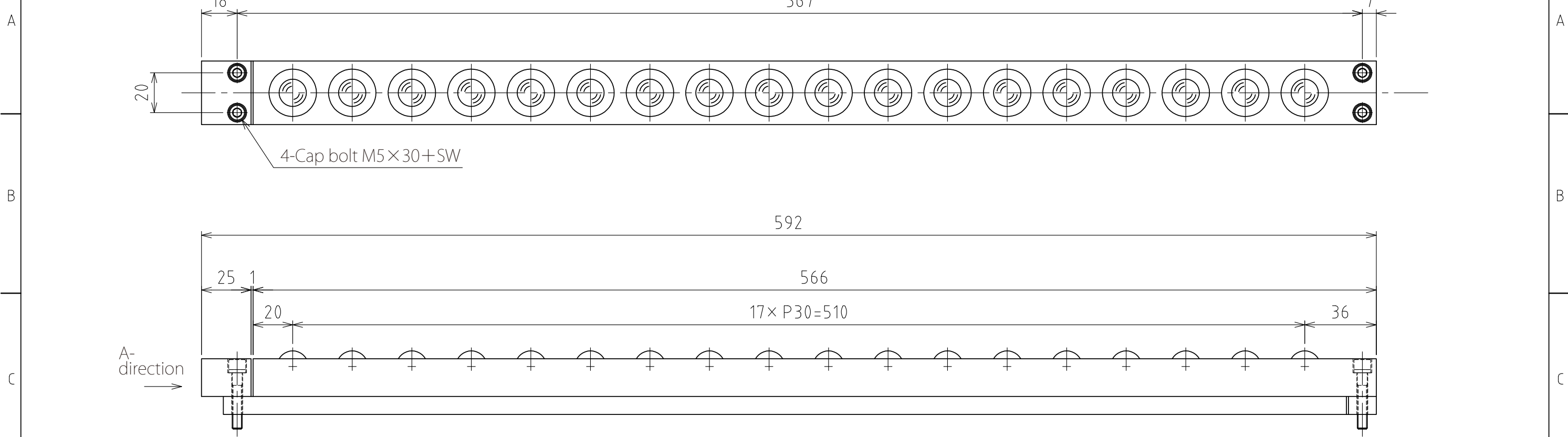
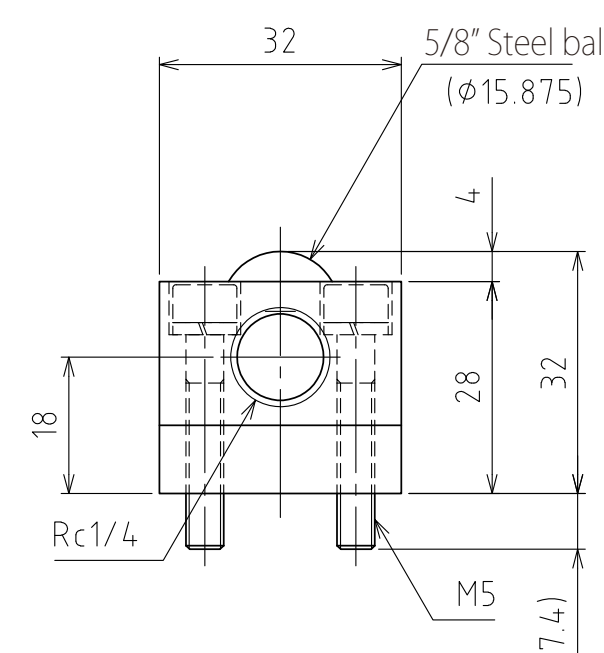


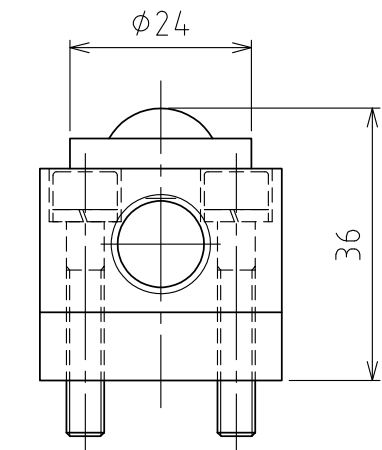
1 2 3 4 5 6 7 8



A-direction
→

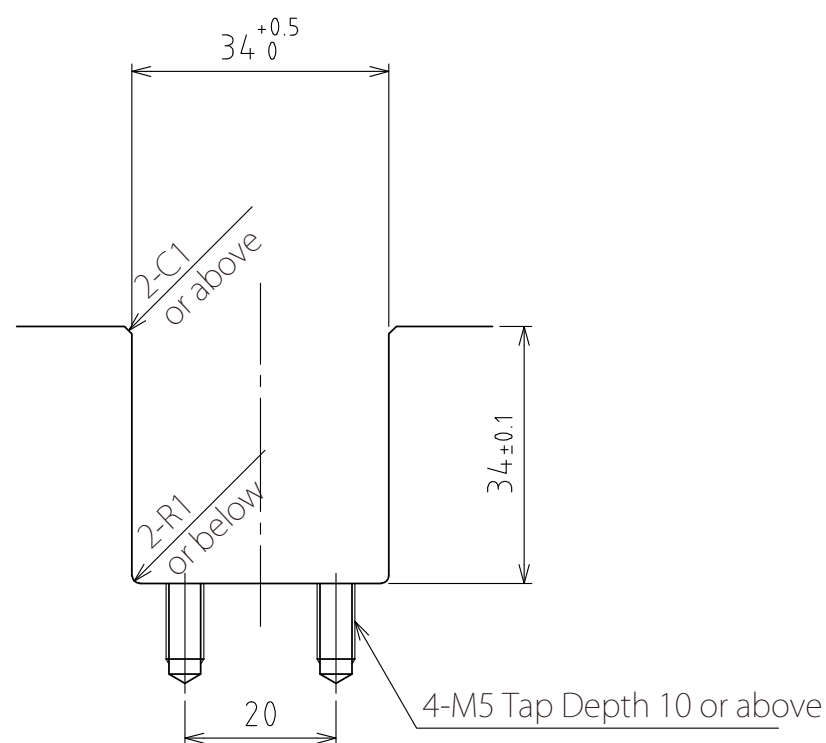


View A



Rising
(stroke 4mm)

(Scale 1:1)



Recommended groove dimensions

spec

Series	AFU-3232series	
Freebear	18pcs	
Material	Ball	SUJ2
	Ball seat	SCM415
	Body	Steel
Weight	3.8kg	

Capacity	Air pressure [MPa(kgf/cm ²)]	Load capacity (Unit) [kN(kgf)]	Load capacity (One freebear) [kN(kgf)]
	0.3 (3.1)	2.16(219.6)	0.12(12.2)
	0.4 (4.1)	2.88(293.4)	0.16(16.3)
	0.5 (5.1)	3.60(367.2)	0.20(20.4)
	0.6 (6.1)	4.32(441.0)	0.24(24.5)

設計 DESIGNED BY	古内	2021/07/27	名称 TITLE Pneumatically Actuated freebear unit
製図 DRAWN BY	古内	2021/07/27	
検図 CHECKED BY	坂根	21.11.11	AFU-3232-4P-18
承認 APPROVED BY	花村	21.11.18	
尺度 SCALE	1:2	サイズ SIZE	A3
第三角法			☉
			図面番号 DRAWING NO. SD-01279-F01
			変更回数 REV.MARK 回数

1 2 3 4 5 6 7 8