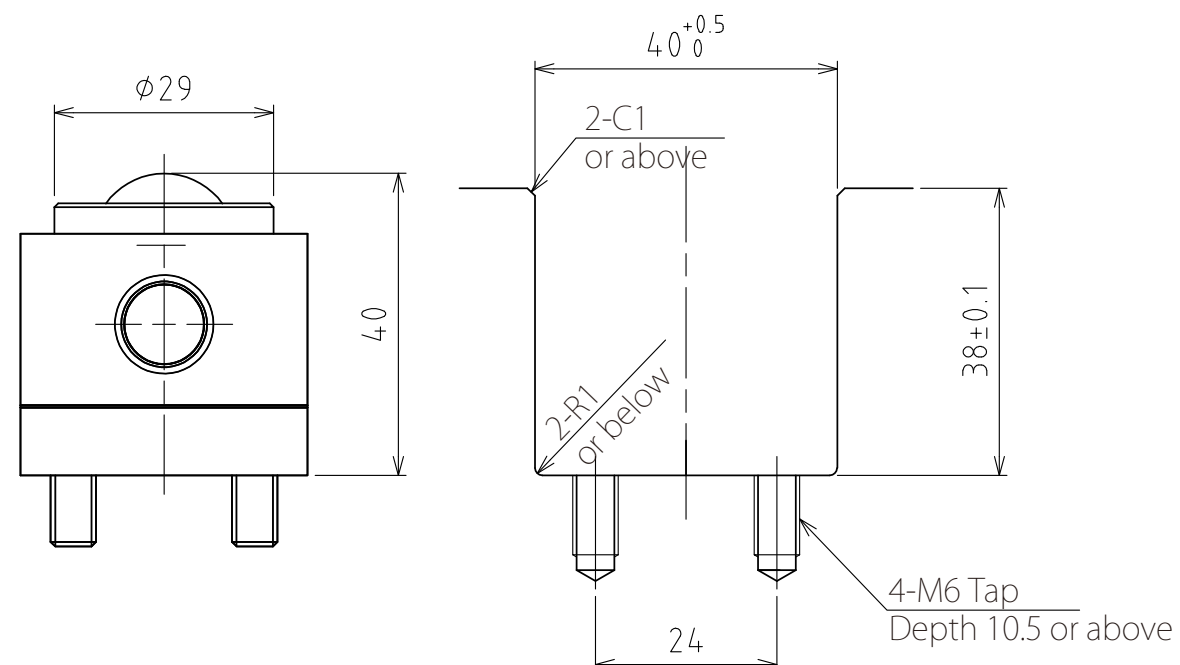


View A



Rising  
(stroke 4mm)

Recommended groove dimensions

(Scale 1:1)

spec

Series	AFU-32S series	
Freebear	10pcs	
Material	Ball	SUJ2
	Ball seat	SCM415
	Body	Steel
Weight	4.4kg	

Capacity	Air pressure [ MPa(kgf/cm <sup>2</sup> ) ]	Load capacity (Unit) [ kN(kgf) ]	Load capacity (One freebear) [ kN(kgf) ]
	0.3 (3.1)	1.95(198.9)	0.20(19.9)
0.4 (4.1)	2.40(244.7)	0.24(24.5)	
0.5 (5.1)	3.10(316.1)	0.31(31.6)	
0.6 (6.1)	3.90(397.7)	0.39(39.8)	

設計 DESIGNED BY	古内	2021/07/28	名称 TITLE	Pneumatically Actuated freebear unit
製図 DRAWN BY	古内	2021/07/28	AFU-32S-10-500	
検図 CHECKED BY	坂根	21.11.12	承認 APPROVED BY	花村
尺度 SCALE	1:2	サイズ SIZE	A3	図面番号 DRAWING NO.
第三角法				変更回数 REV MARK
				SD-00122-F04