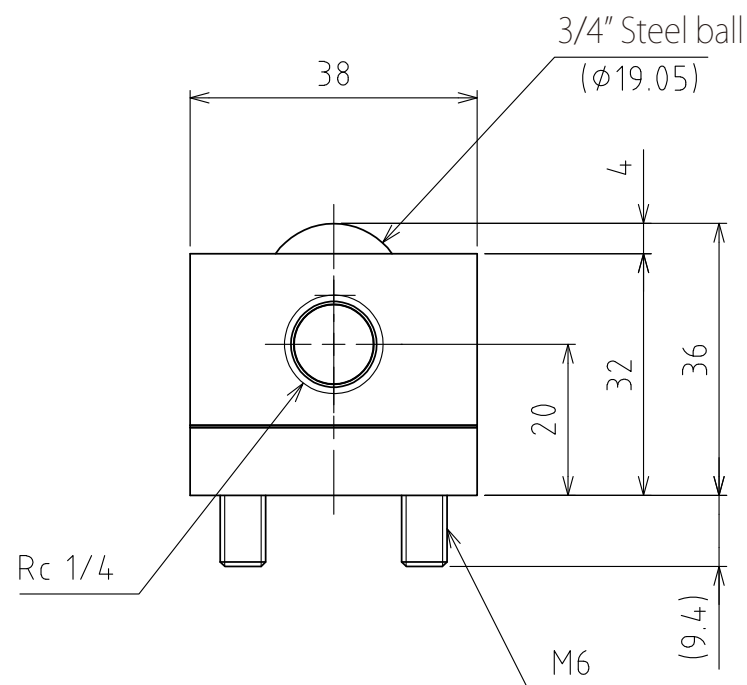
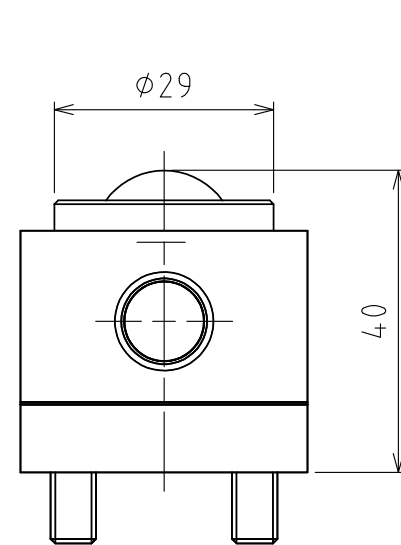


A-direction
→

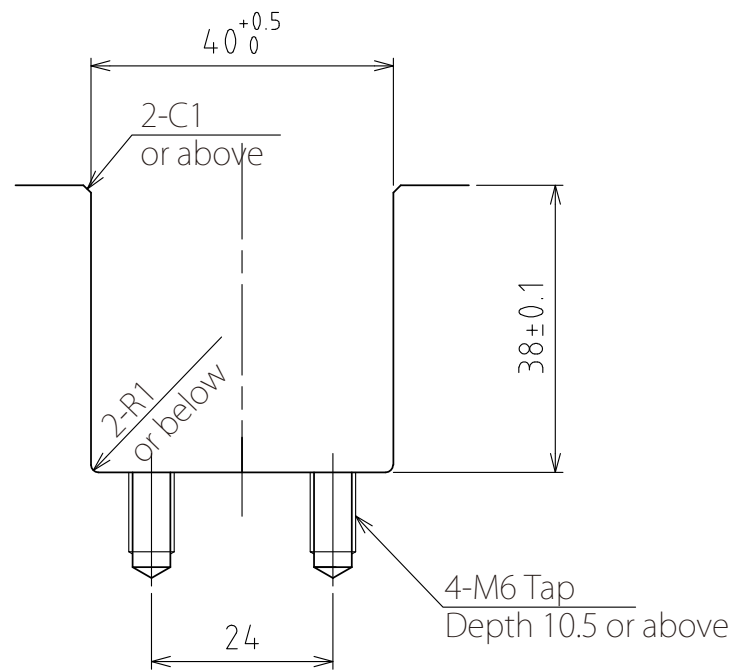


View A



Rising
(stroke 4mm)

(Scale 1:1)



Recommended groove dimensions

spec

Series	AFU-32S series	
Freebear	12pcs	
Material	Ball	SUJ2
	Ball seat	SCM415
	Body	Steel
Weight	5.2kg	

Capacity	Air pressure [MPa(kgf/cm ²)]	Load capacity (Unit) [kN(kgf)]	Load capacity (One freebear) [kN(kgf)]
	0.3 (3.1)	2.34(238.6)	0.20(19.9)
0.4 (4.1)	2.88(293.7)	0.24(24.5)	
0.5 (5.1)	3.72(379.3)	0.31(31.6)	
0.6 (6.1)	4.68(477.2)	0.39(39.8)	

設計 DESIGNED BY	古内	2021/07/28	名称 TITLE Pneumatically Actuated freebear unit
製図 DRAWN BY	古内	2021/07/28	
検図 CHECKED BY	坂根	21.11.12	AFU-32S-12-600
承認 APPROVED BY	花村	21.11.24	
尺度 SCALE	1:2	サイズ SIZE	A3
第三角法			☉
図面番号 DRAWING NO.			変更回数 REV.MARK
SD-00124-F05			

