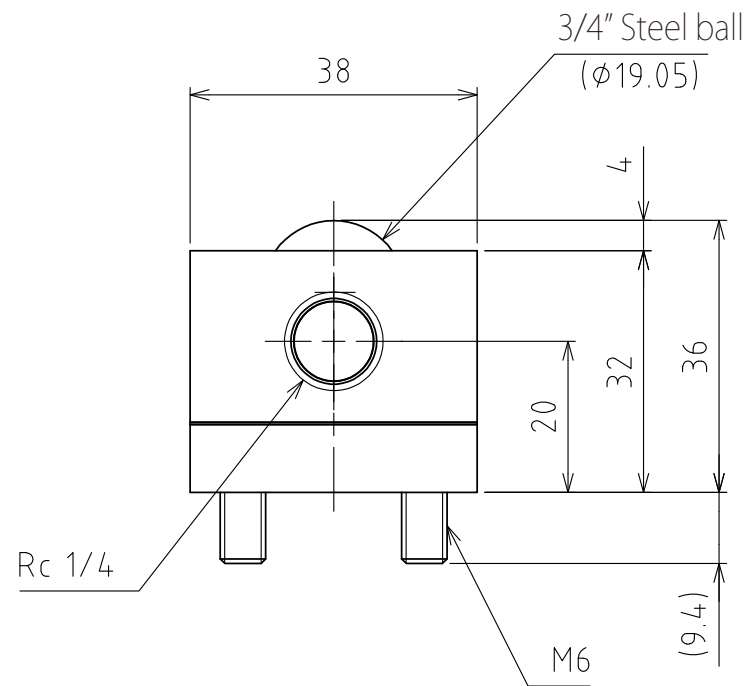
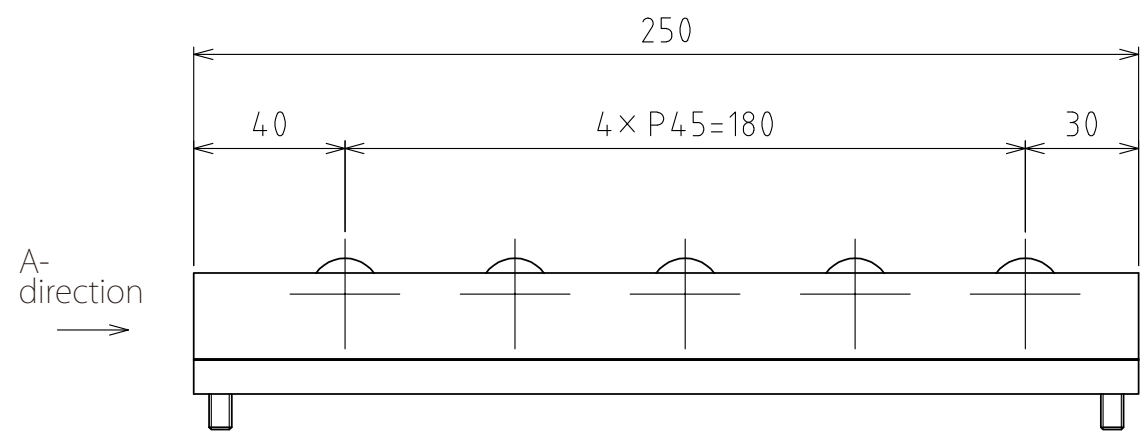
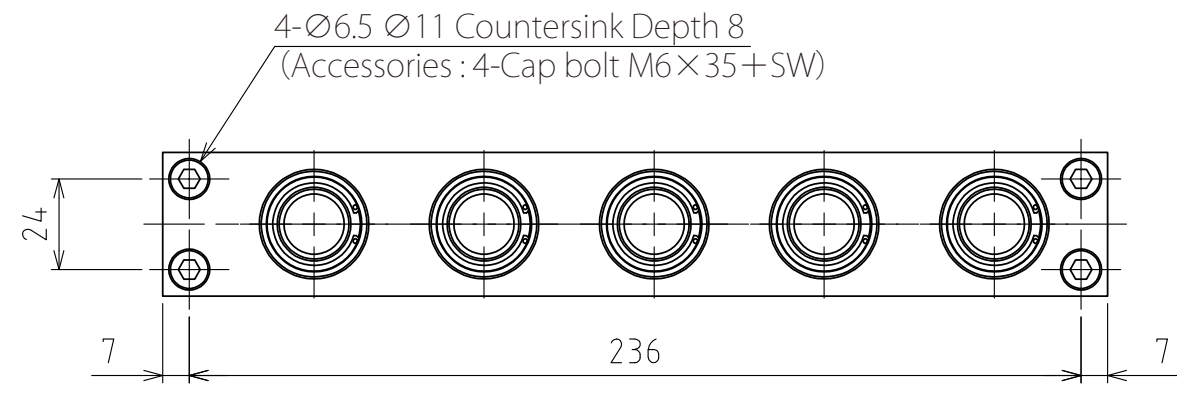


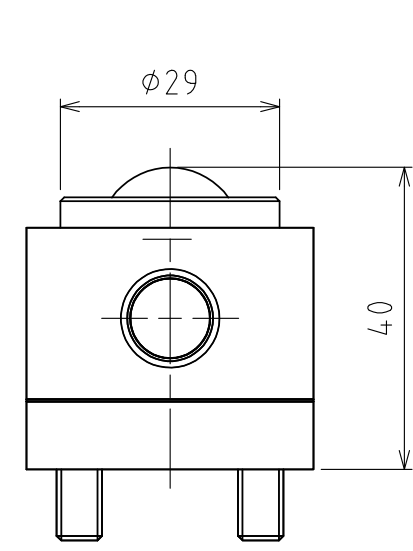
1 2 3 4 5 6 7 8

A
B
C
D
E
F

A
B
C
D
E
F

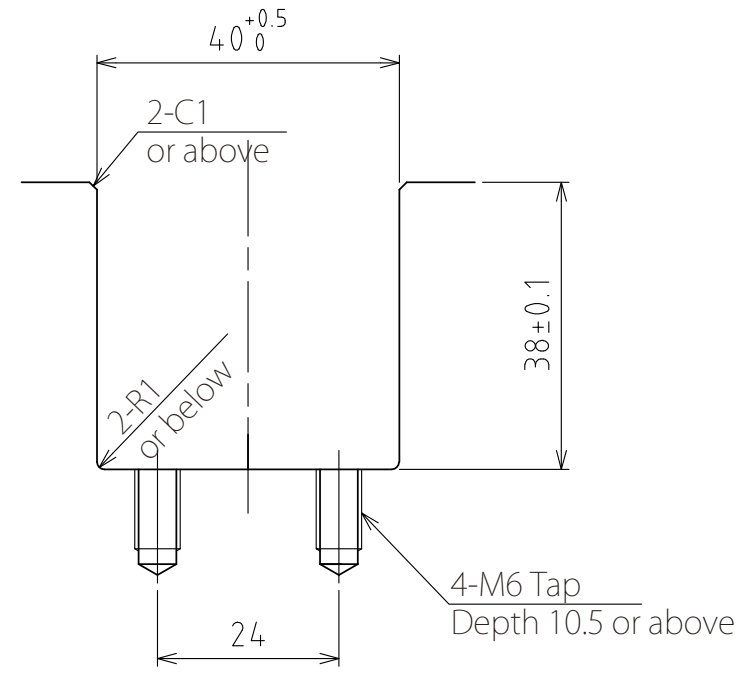


View A



Rising
(stroke 4mm)

(Scale 1:1)



Recommended groove dimensions

spec

Series	AFU-32S series	
Freebear	5pcs	
Material	Ball	SUJ2
	Ball seat	SCM415
	Body	Steel
Weight	2.2kg	

Capacity	Air pressure [MPa(kgf/cm ²)]	Load capacity (Unit) [kN(kgf)]	Load capacity (One freebear) [kN(kgf)]
	0.3 (3.1)	0.98(99.4)	0.20(19.9)
0.4 (4.1)	1.20(122.4)	0.24(24.5)	
0.5 (5.1)	1.55(158.1)	0.31(31.6)	
0.6 (6.1)	1.95(198.8)	0.39(39.8)	

設計 DESIGNED BY	古内	2021/07/28	名称 TITLE	Pneumatically Actuated freebear unit
製図 DRAWN BY	古内	2021/07/28		
検図 CHECKED BY	技術部 坂根	承認 APPROVED BY	技術部 花村	AFU-32S-5-250
尺度 SCALE	1:2	サイズ SIZE	A3	
第三角法			☉	
FREEBEAR			図面番号 DRAWING NO.	変更回数 REV.MARK
			SD-00117-F04	

1 2 3 4 5 6 7 8