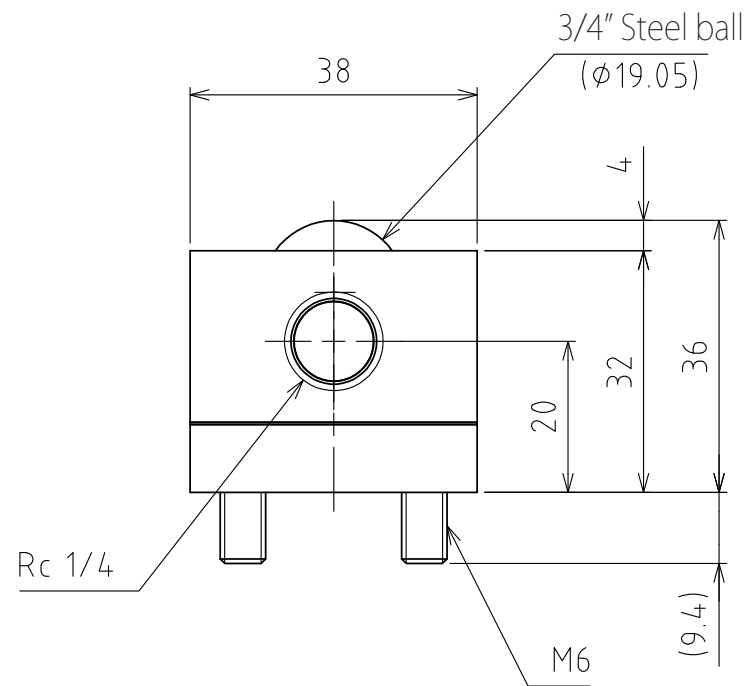
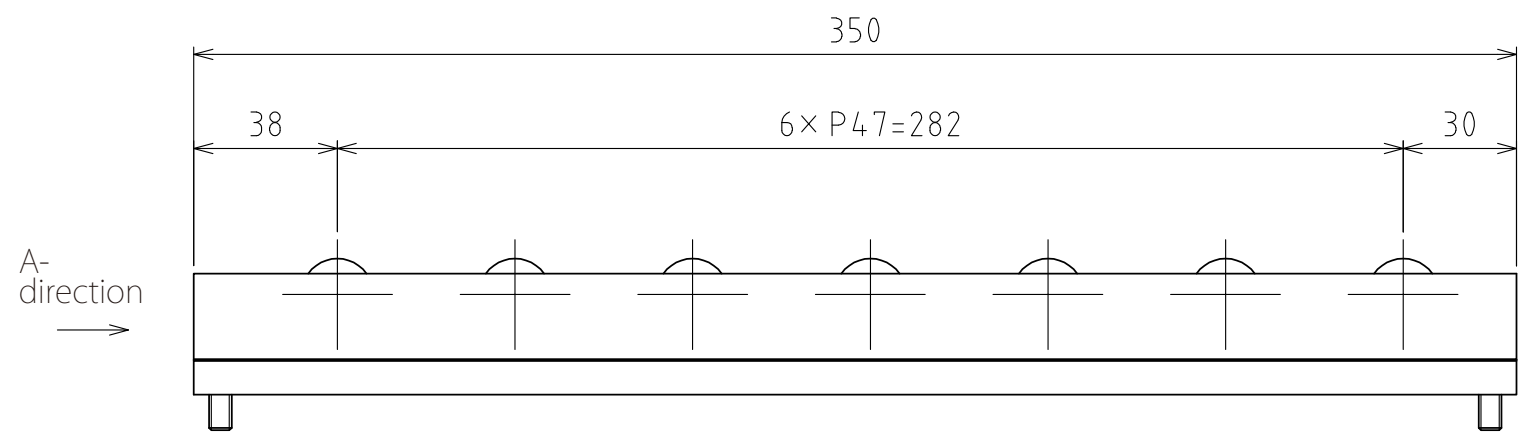
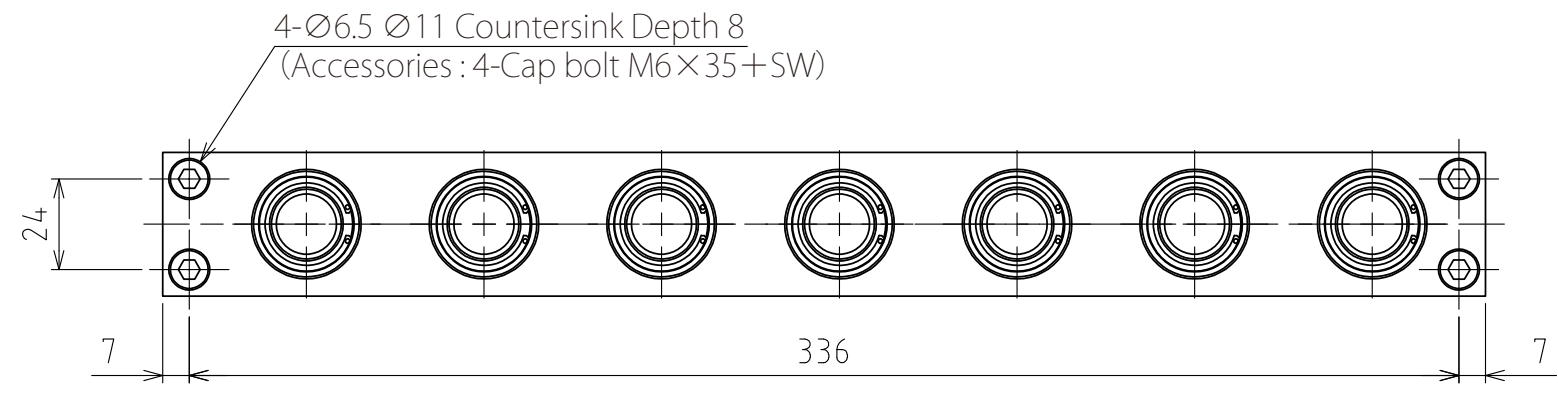
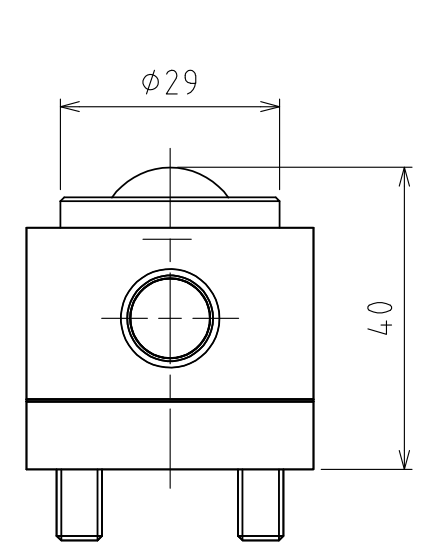


1 2 3 4 5 6 7 8

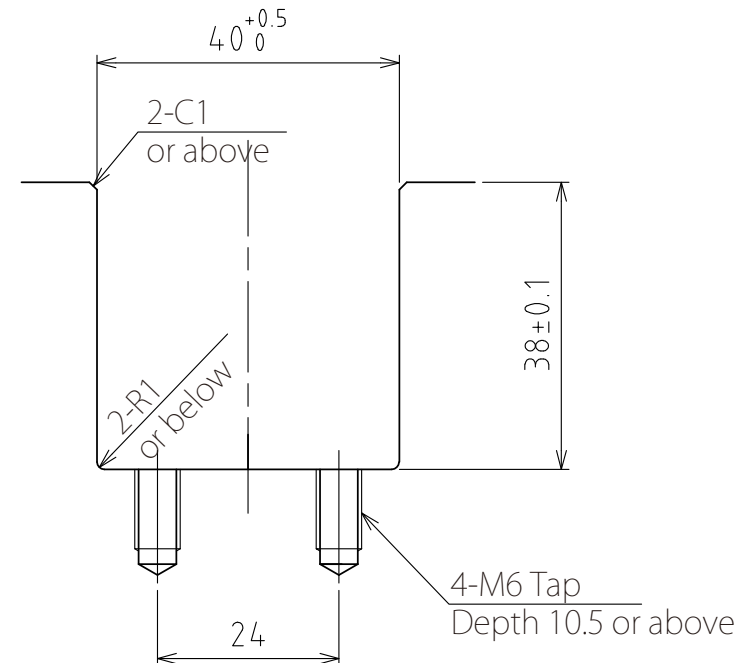
A
B
C
D
E
F



View A



Rising
(stroke 4mm)



Recommended groove dimensions

(Scale 1:1)

spec

Series	AFU-32S series	
Freebear	7pcs	
Material	Ball	SUJ2
	Ball seat	SCM415
	Body	Steel
Weight	3.1kg	

Capacity	Air pressure [MPa(kgf/cm ²)]	Load capacity (Unit) [kN(kgf)]	Load capacity (One freebear) [kN(kgf)]
	0.3 (3.1)	1.37 (139.2)	0.20 (19.9)
0.4 (4.1)	1.68 (171.3)	0.24 (24.5)	
0.5 (5.1)	2.17 (221.3)	0.31 (31.6)	
0.6 (6.1)	2.73 (278.4)	0.39 (39.8)	

設計 DESIGNED BY	古内	2021/07/28	名称 TITLE Pneumatically Actuated freebear unit
製図 DRAWN BY	古内	2021/07/28	
検図 CHECKED BY	坂根	21.11.12	AFU-32S-7-350
承認 APPROVED BY	花村	21.11.24	
尺度 SCALE	1:2	サイズ SIZE	A3
第三角法			☉
図面番号 DRAWING NO.		変更回数	REV.MARK
SD-00119-F04		0	



1 2 3 4 5 6 7 8