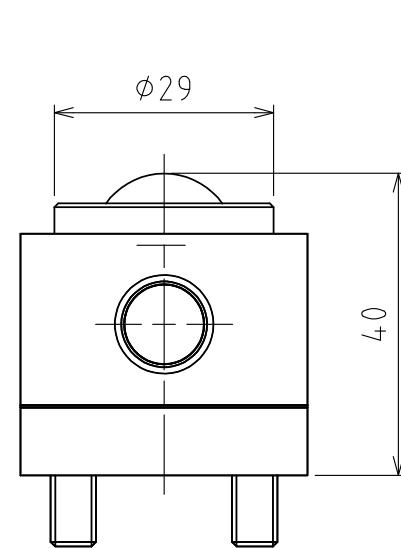
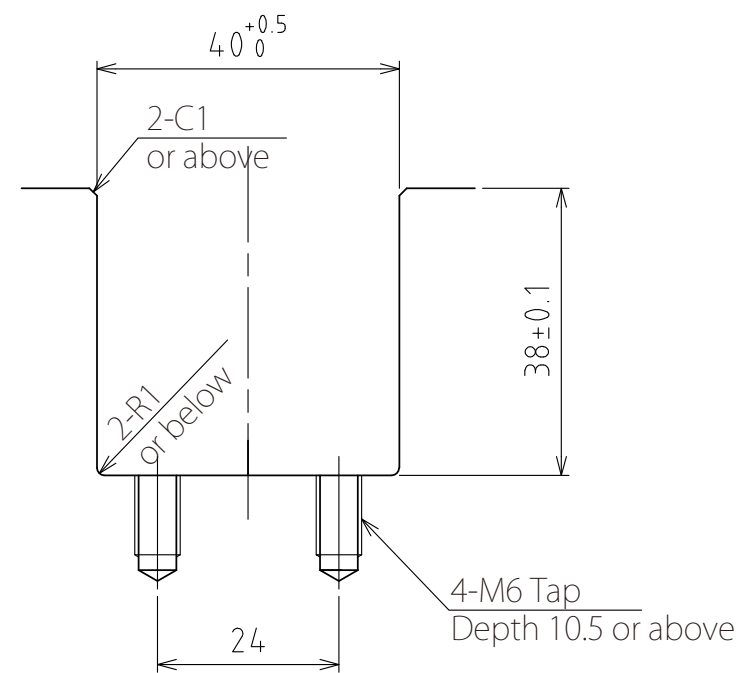


View A



Rising
(stroke 4mm)

(Scale 1:1)



Recommended groove dimensions

spec

Series	AFU-32S series	
Freebear	8pcs	
Material	Ball	SUJ2
	Ball seat	SCM415
	Body	Steel
Weight	3.5kg	

Capacity	Air pressure [MPa(kgf/cm ²)]	Load capacity (Unit) [kN(kgf)]	Load capacity (One freebear) [kN(kgf)]
	0.3 (3.1)	1.56(159.1)	0.20(19.9)
0.4 (4.1)	1.92(195.8)	0.24(24.5)	
0.5 (5.1)	2.48(252.9)	0.31(31.6)	
0.6 (6.1)	3.12(318.2)	0.39(39.8)	

設計 DESIGNED BY	古内	2021/07/28	名称 TITLE	Pneumatically Actuated freebear unit
製図 DRAWN BY	古内	2021/07/28	AFU-32S-8-400	
検図 CHECKED BY	技術部 坂根	承認 APPROVED BY	技術部 花村	図面番号 DRAWING NO.
尺度 SCALE	1:2	サイズ SIZE	A3	変更回数 REV.MARK
第三角法				SD-00120-F04