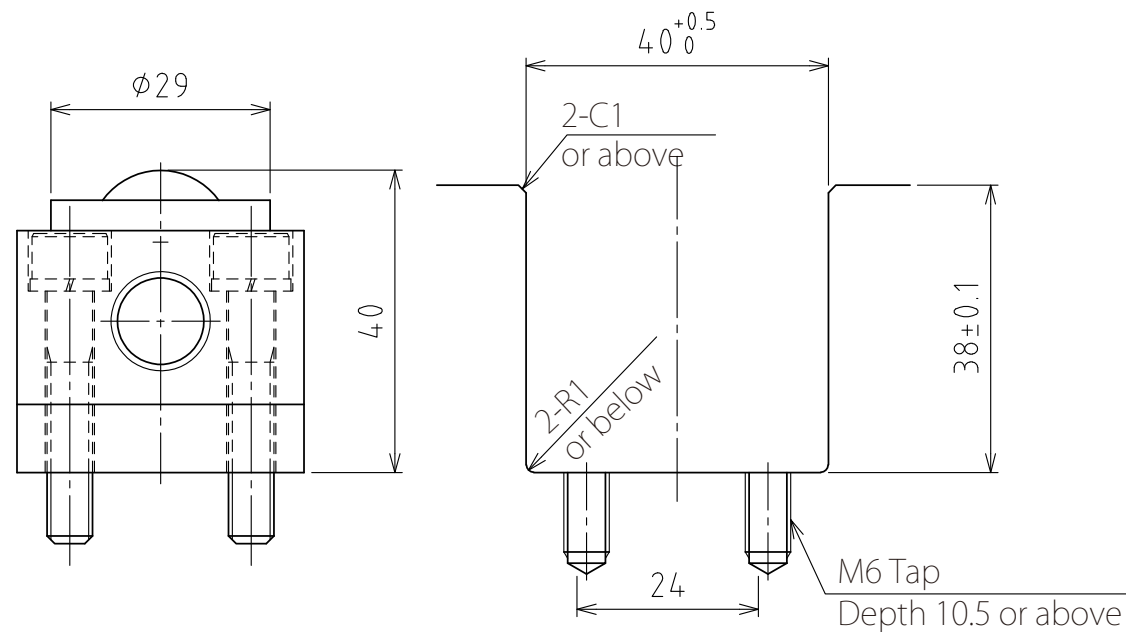


View A



Rising (stroke 4mm)

Recommended groove dimensions

(Scale 1:1)

spec

Series	AFU-3836 series	
Freebear	17pcs	
Material	Ball	SUJ2
	Ball seat	SCM415
	Body	Steel
Weight	7.7kg	

Capacity	Air pressure [MPa(kgf/cm ²)]	Load capacity (Unit) [kN(kgf)]	Load capacity (One freebear) [kN(kgf)]
	0.3 (3.1)	3.32(338.1)	0.20(19.9)
0.4 (4.1)	4.08(416.0)	0.24(24.5)	
0.5 (5.1)	5.27(537.4)	0.31(31.6)	
0.6 (6.1)	6.63(676.1)	0.39(39.8)	

設計 DESIGNED BY	古内	2021/07/28	名称 TITLE	Pneumatically Actuated freebear unit
製図 DRAWN BY	古内	2021/07/28		
検閲 CHECKED BY	技術部 坂根	21.11.15	承認 APPROVED BY	技術部 花村
尺度 SCALE	1:3	サイズ SIZE	A3	AFU-3836-4P-17
第三角法				図面番号 DRAWING NO. SD-01368-F01
FREEBEAR				変更回数 REV.MARK