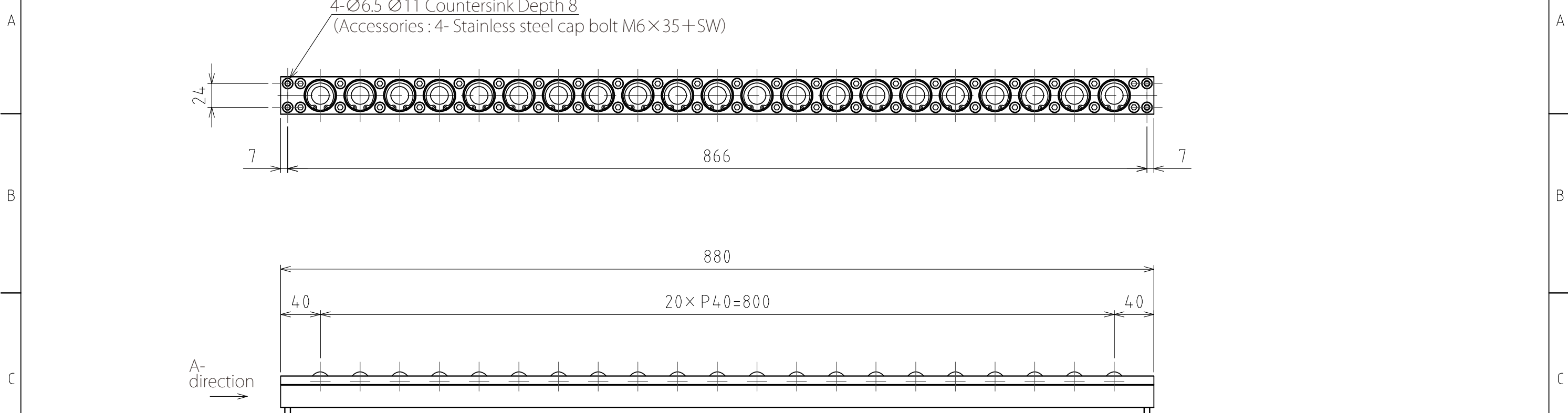
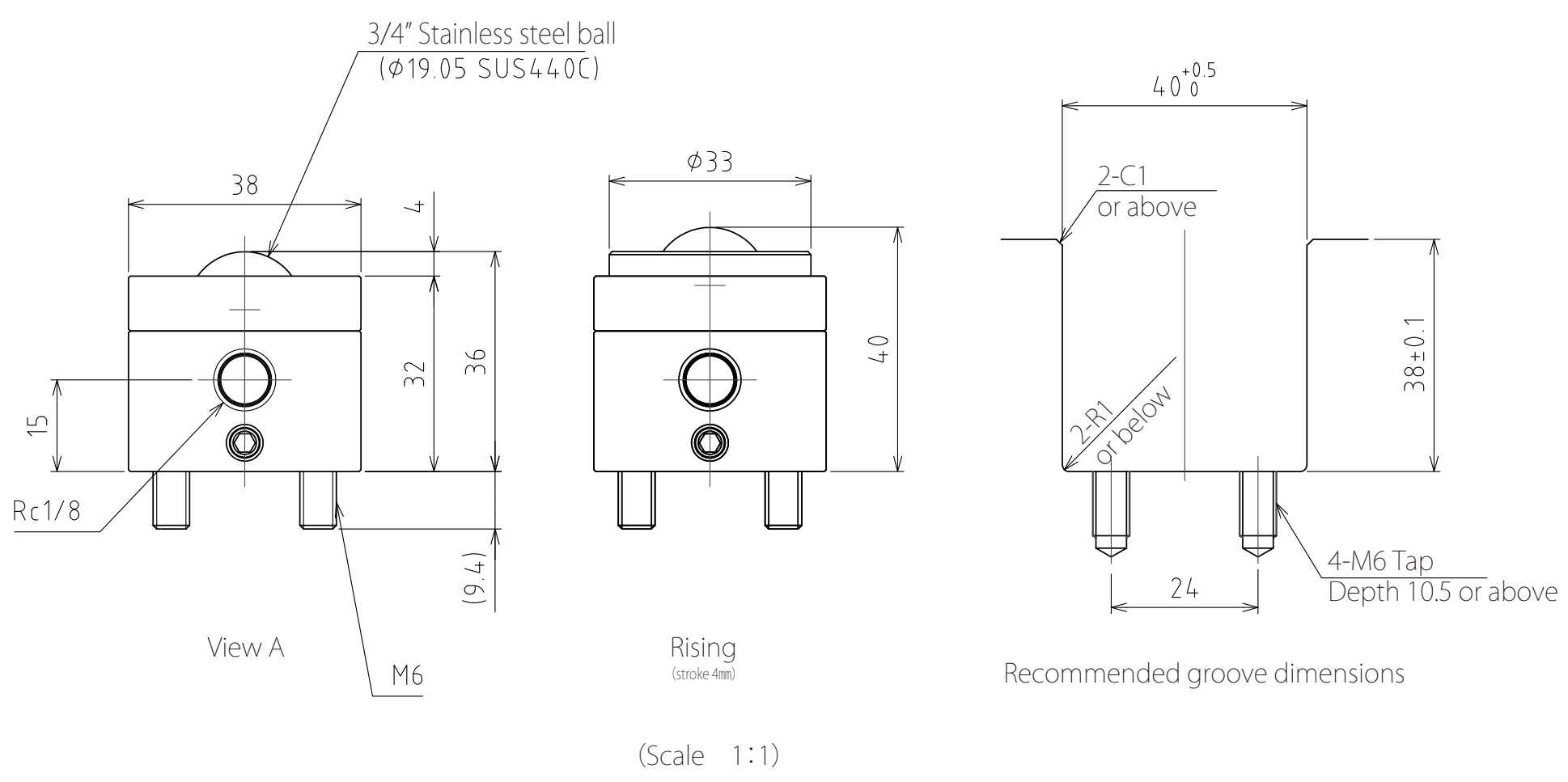
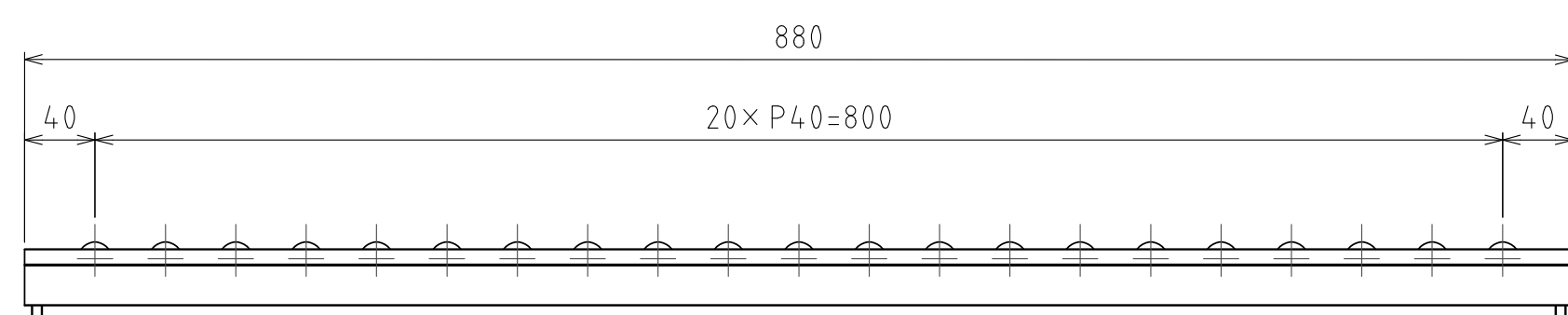
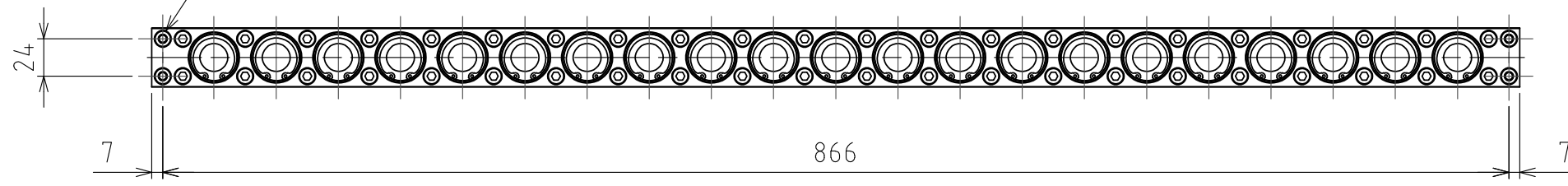


1 2 3 4 5 6 7 8



4- $\varnothing 6.5$   $\varnothing 11$  Countersink Depth 8  
(Accessories : 4- Stainless steel cap bolt M6  $\times$  35 + SW)



(Scale 1:1)

spec

Series	AFU-3836AL series	
Freebear	21pcs	
Material	Ball	SUS440C
	Ball seat	SUS440C
	Body	Aluminum
Weight	4.5kg	

Capacity	Air pressure [MPa(kgf/cm <sup>2</sup> )]	Load capacity (Unit) [kN(kgf)]	Load capacity (One freebear) [kN(kgf)]
	0.3 (3.1)	4.94(503.0)	0.24(24.0)
	0.4 (4.1)	6.51(664.0)	0.31(32.0)
	0.5 (5.1)	8.19(835.0)	0.39(40.0)
	0.6 (6.1)	9.87(1006.0)	0.47(48.0)

設計 DESIGNED BY	古内	2021/07/28	名称 TITLE
製図 DRAWN BY	古内	2021/07/28	
検閲 CHECKED BY	技術部 坂根	承認 APPROVED BY	AFU-3836AL-21
尺度 SCALE	1:4	サイズ SIZE	
第三角法			図面番号 DRAWING NO.
			変更回数 REV.MARK
			SD-00541-F02

1 2 3 4 5 6 7 8