

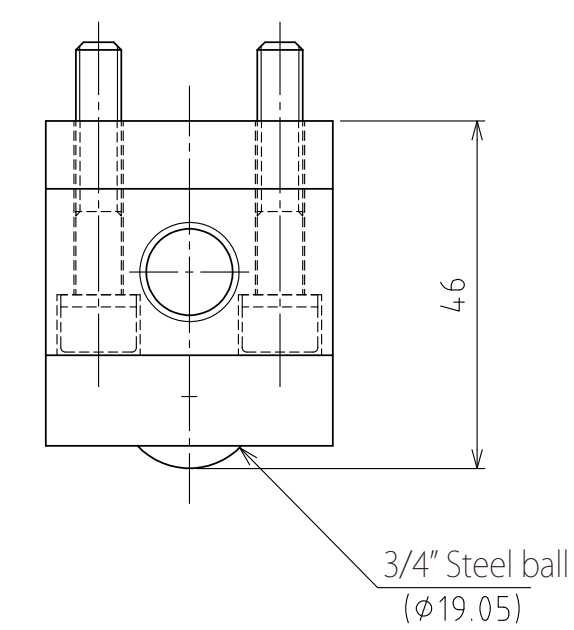
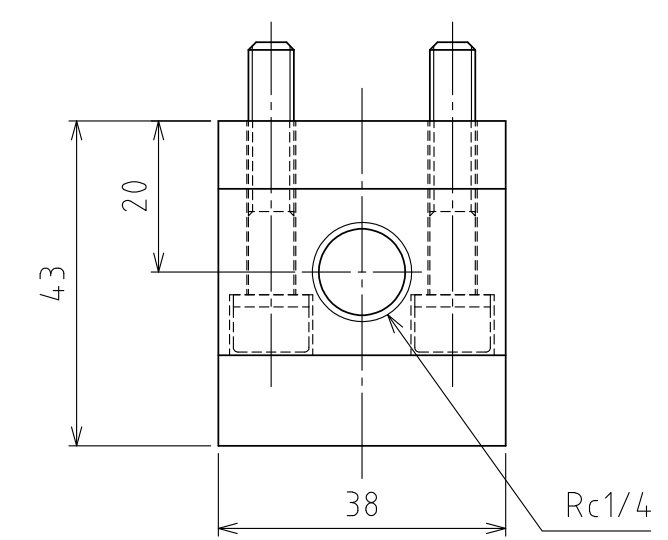
2-Cap bolt M6×35+SW

2-Cap bolt M6×45+SW

spec

| | | |
|----------|------------------|--------|
| Series | AFU-3843D series | |
| Freebear | 8 pcs | |
| Material | Ball | SUJ2 |
| | Ball seat | SCM415 |
| | Body | Steel |
| Weight | 4.9kg | |

| Capacity | Air pressure [MPa(kgf/cm ²)] | Load capacity (Unit) [kN(kgf)] | Load capacity (One freebear) [kN(kgf)] |
|----------|---|-----------------------------------|---|
| | 0.3 (3.1) | 1.56(159.1) | 0.20(19.9) |
| | 0.4 (4.1) | 1.92(195.8) | 0.24(24.5) |
| | 0.5 (5.1) | 2.48(252.9) | 0.31(31.6) |
| | 0.6 (6.1) | 3.12(318.2) | 0.39(39.8) |



View A

Rising
(stroke 3mm)

(Scale 1:1)

| | | | |
|----------------|-----------|----------------|---|
| 設計 DESIGNED BY | 古内 | 2021/07/26 | 名称 TITLE |
| 製図 DRAWN BY | 古内 | 2021/07/26 | Pneumatically Actuated freebear unit |
| 検図 CHECKED BY | 技術部 坂根 | 承認 APPROVED BY | 技術部 花村 |
| 尺度 SCALE | 1:2 | サイズ SIZE | A3 |
| 第三角法 | | | AFU-3843D-8 |
| | | | 図面番号 DRAWING NO. SD-01339-F01 |
| | | | 変更回数 REV.MARK |