

1 2 3 4 5 6 7 8

A

B

C

D

E

F

A

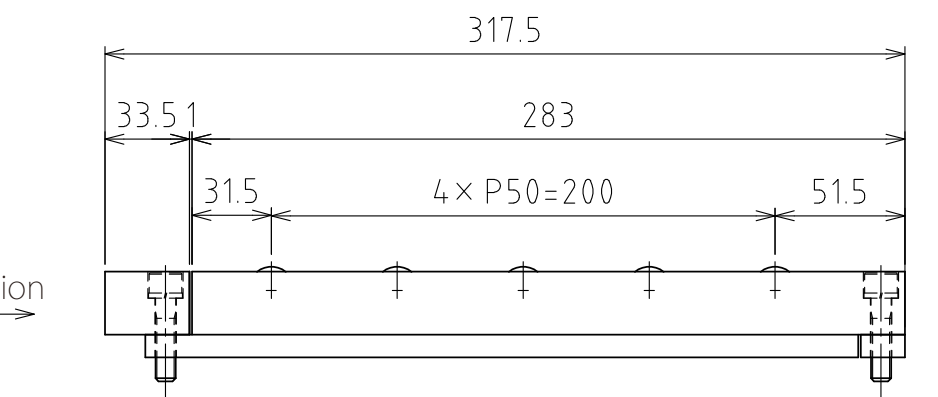
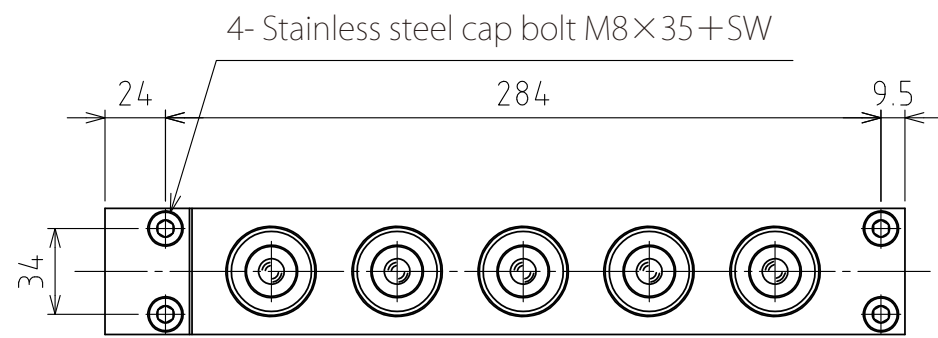
B

C

D

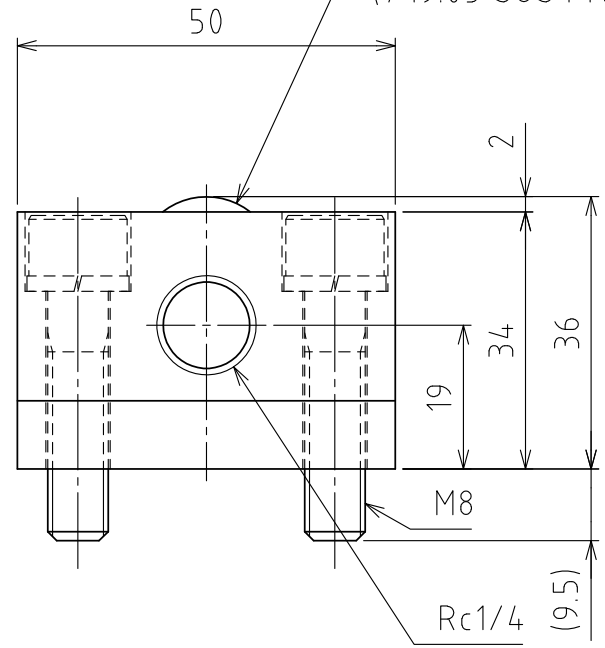
E

F

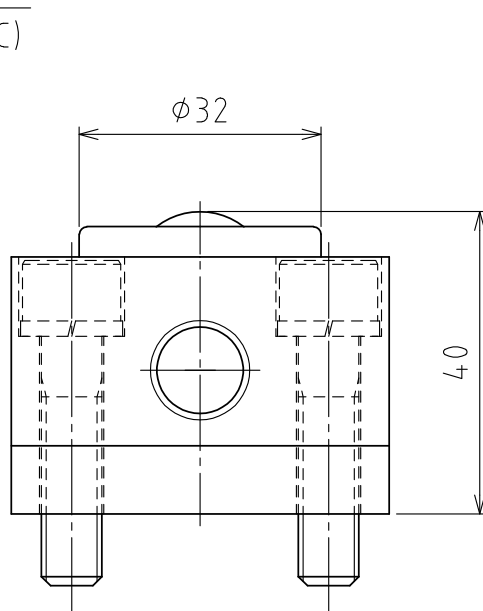


A-direction  
→

3/4" Stainless steel ball  
( $\phi 19.05$  SUS440C)

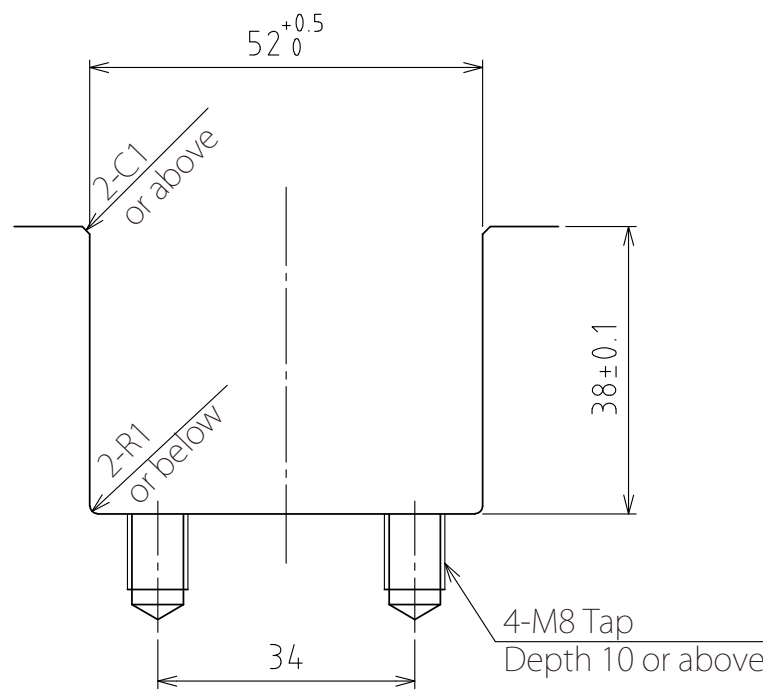


View A



Rising  
(stroke 4mm)

(Scale 1:1)



Recommended groove dimensions

spec

Series	AFU-5036M series	
Freebear	5pcs	
Material	Ball	SUS440C
	Ball seat	SUS440C
	Body	Steel (Electroless nickel-plating)
Weight	3.5kg	

Capacity	Air pressure [ MPa(kgf/cm <sup>2</sup> ) ]	Load capacity (Unit) [ kN(kgf) ]	Load capacity (One freebear) [ kN(kgf) ]
	0.3 (3.1)	0.98(99.4)	0.20(19.9)
	0.4 (4.1)	1.20(122.4)	0.24(24.5)
	0.5 (5.1)	1.55(158.1)	0.31(31.6)
	0.6 (6.1)	1.95(198.8)	0.39(39.8)

設計 DESIGNED BY	古内	2021/07/28	名称 TITLE Pneumatically Actuated freebear unit
製図 DRAWN BY	古内	2021/07/28	
検図 CHECKED BY	技術部 坂根	承認 APPROVED BY	技術部 花村
尺度 SCALE	1:3	サイズ SIZE	A3
第三角法			AFU-5036M-4P-5
図面番号 DRAWING NO.			変更回数 REV.MARK
SD-01304-F01			



1 2 3 4 5 6 7 8