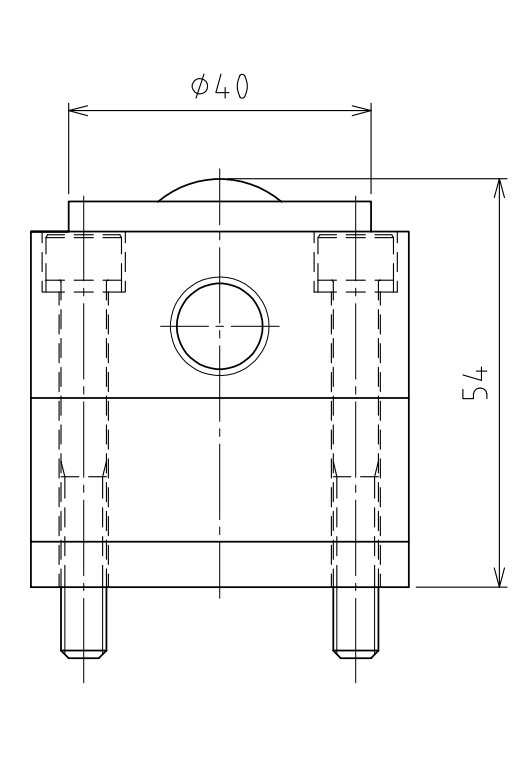
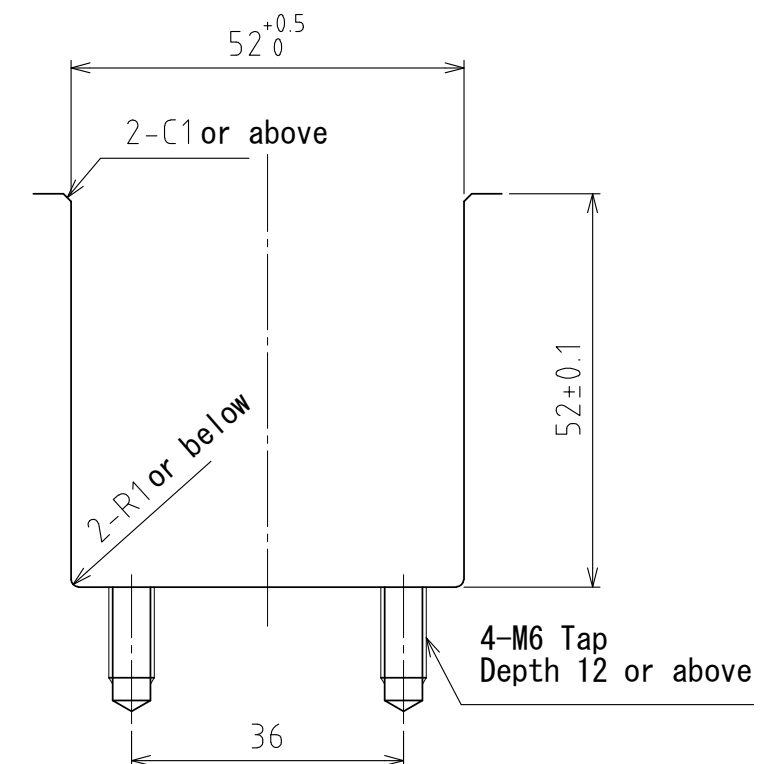


View A



Rising
(stroke 4mm)
(Scale 1:1)



Recommended groove dimensions

spec

Series	AFU-5050W series	
Freebear	18pcs	
Material	Ball	SUJ2
	Ball seat	SCM415
	Body	Steel
Weight	15kg	

Capacity	Air pressure [MPa(kgf/cm ²)]	Load capacity (Unit) [kN(kgf)]	Load capacity (One freebear) [kN(kgf)]
	0.3 (3.1)	13.77(1404.2)	0.77(78.0)
	0.4 (4.1)	18.36(1872.2)	1.02(104.0)
	0.5 (5.1)	23.04(2349.4)	1.28(130.5)
	0.6 (6.1)	27.54(2808.3)	1.53(156.0)

設計 DESIGNED BY	古内	2021/07/29	名称 TITLE
製図 DRAWN BY	白川	2023/12/01	Pneumatically Actuated freebear unit
検図 CHECKED BY	技術部 23.12.04 花村	承認 APPROVED BY	技術部 23.12.04 坂根
尺度 SCALE	1:3	サイズ SIZE	A3
第三角法			☉
			図面番号 DRAWING NO. SD-01405-F02
			変更回数 REV.MARK