

1 2 3 4 5 6 7 8

A A

B B

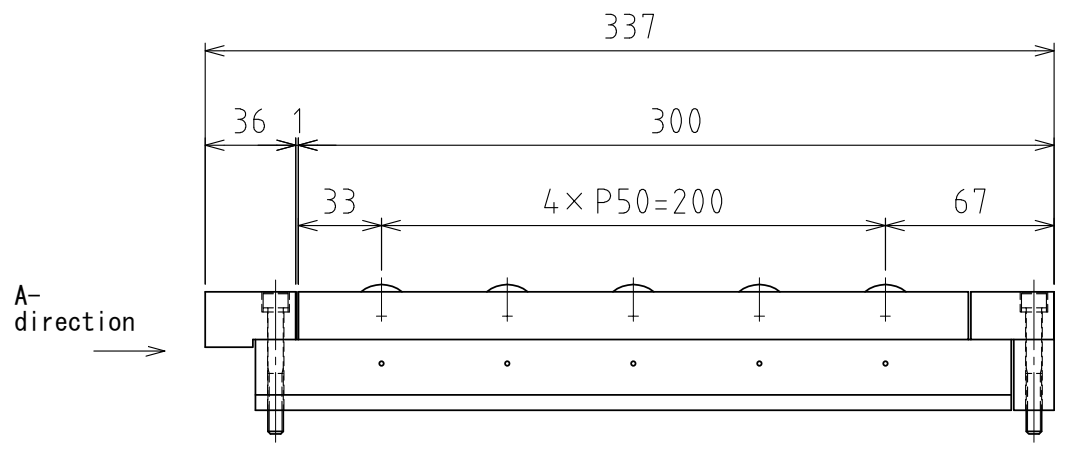
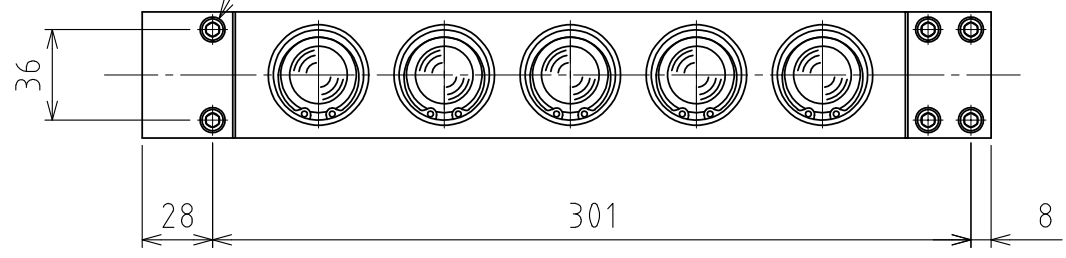
C C

D D

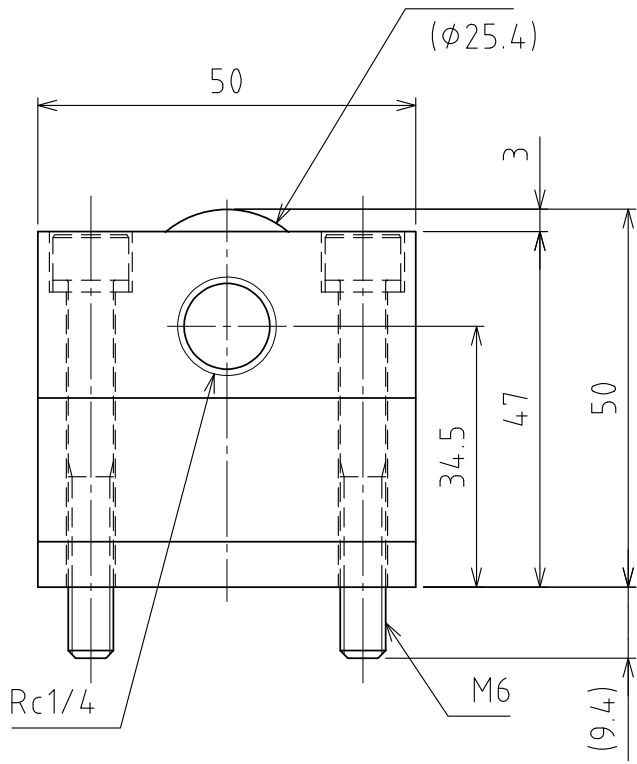
E E

F F

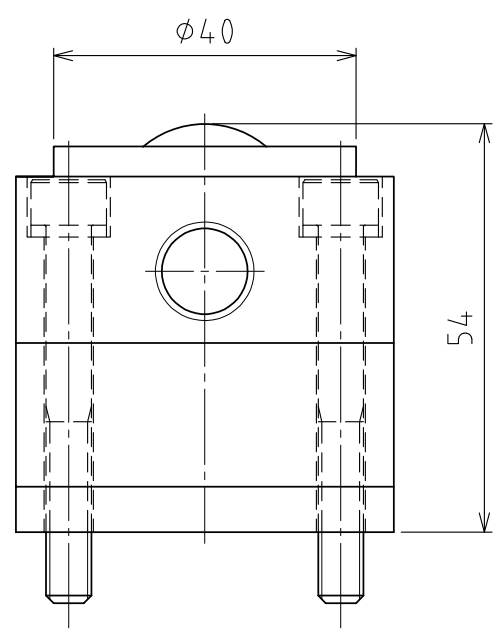
4-Cap bolt M6×50+SW



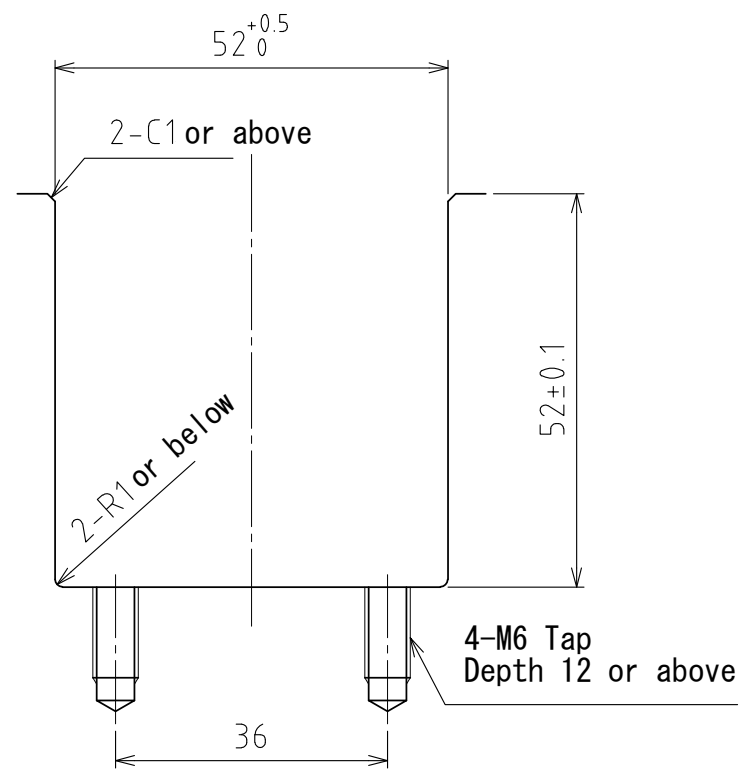
1" Steel ball



View A



Rising
(stroke 4mm)
(Scale 1 : 1)



Recommended groove dimensions

spec

Series	AFU-5050W series	
Freebear	5pcs	
Material	Ball	SUJ2
	Ball seat	SCM415
	Body	Steel
Weight	5.2kg	

Capacity	Air pressure [MPa(kgf/cm ²)]	Load capacity (Unit) [kN(kgf)]	Load capacity (One freebear) [kN(kgf)]
	0.3 (3.1)	3.83(390.1)	0.77(78.0)
	0.4 (4.1)	5.10(520.1)	1.02(104.0)
	0.5 (5.1)	6.40(652.6)	1.28(130.5)
	0.6 (6.1)	7.65(780.1)	1.53(156.0)

設計 DESIGNED BY 古内 2021/07/28

製図 DRAWN BY 白川 2023/12/01

検図 CHECKED BY

技術部 23.12.04 花村

承認 APPROVED BY

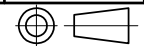
技術部 23.12.04 坂根

名称 TITLE
Pneumatically Actuated freebear unit

尺度 SCALE 1:3 サイズ SIZE A3

AFU-5050W-4P-5

第三角法



図面番号 DRAWING NO. SD-01392-F02

変更回数 REV.MARK

1 2 3 4 5 6 7 8