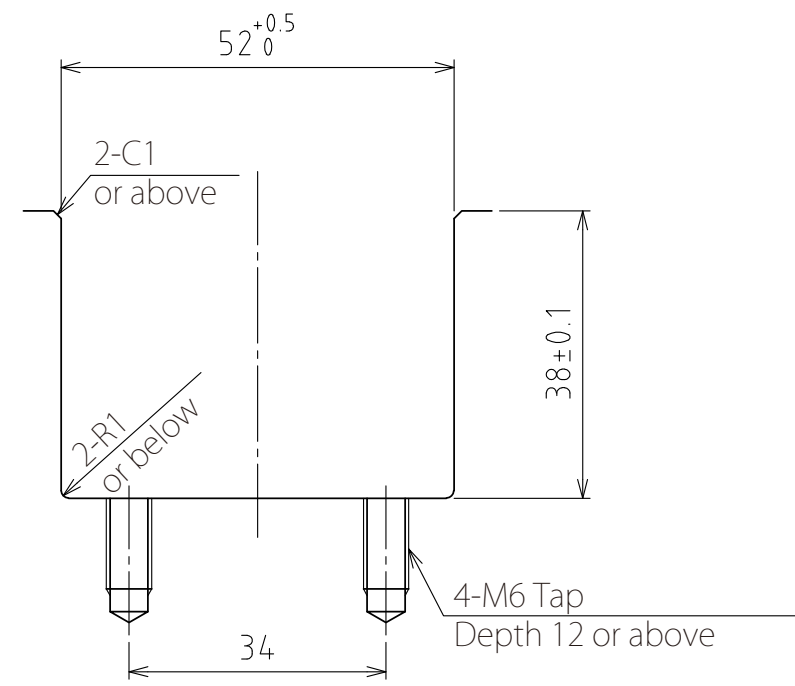
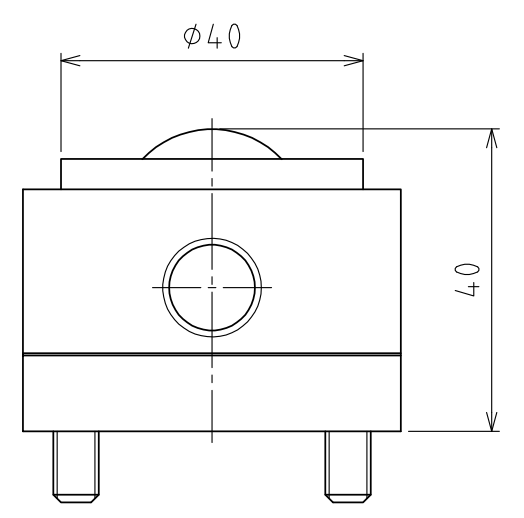
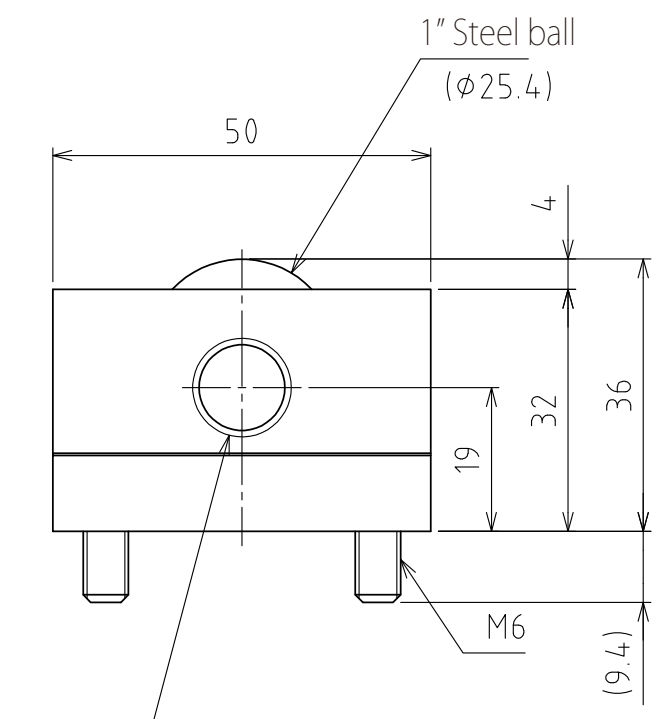
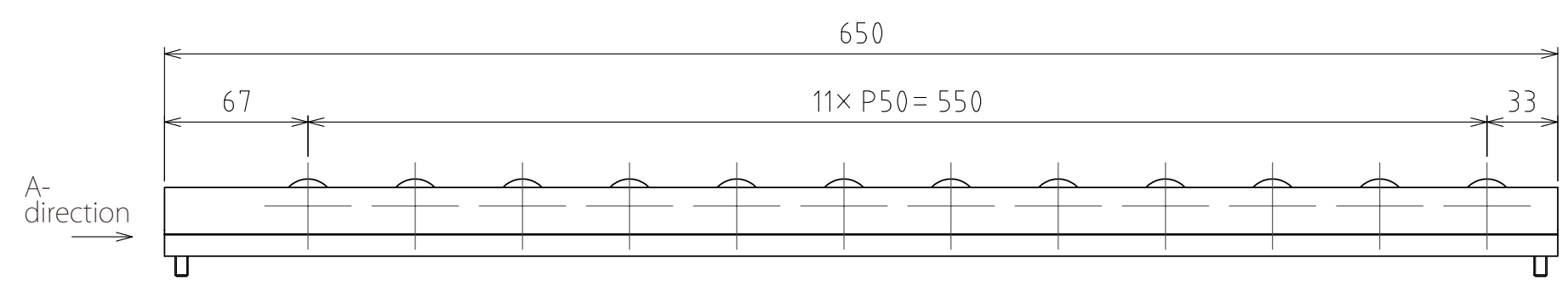
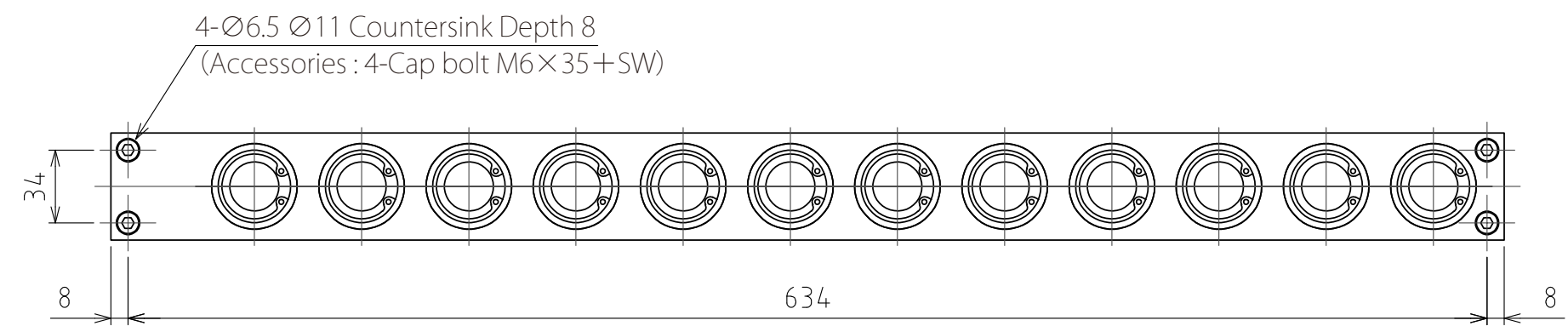


1 2 3 4 5 6 7 8

A
B
C
D
E
F

A
B
C
D
E
F



spec

Series	AFU-65L series	
Freebear	12pcs	
Material	Ball	SUJ2
	Ball seat	SCM415
	Body	Steel
Weight	7kg	

Capacity	Air pressure [MPa(kgf/cm ²)]	Load capacity (Unit) [kN(kgf)]	Load capacity (One freebear) [kN(kgf)]
	0.3 (3.1)	4.62(471.1)	0.39(39.3)
0.4 (4.1)	6.12(624.1)	0.51(52.0)	
0.5 (5.1)	7.68(783.1)	0.64(65.3)	
0.6 (6.1)	9.24(942.2)	0.77(78.5)	

設計 DESIGNED BY	古内	2021/07/29	名称 TITLE	Pneumatically Actuated freebear unit
製図 DRAWN BY	古内	2021/07/29		
検図 CHECKED BY	技術部 坂根	承認 APPROVED BY	技術部 花村	AFU-65L-12-650
尺度 SCALE	1:3	サイズ SIZE	A3	
第三角法			図面番号 DRAWING NO. SD-00107-F04	
FREEBEAR			変更回数 REV.MARK	

(Scale 1:1)

1 2 3 4 5 6 7 8