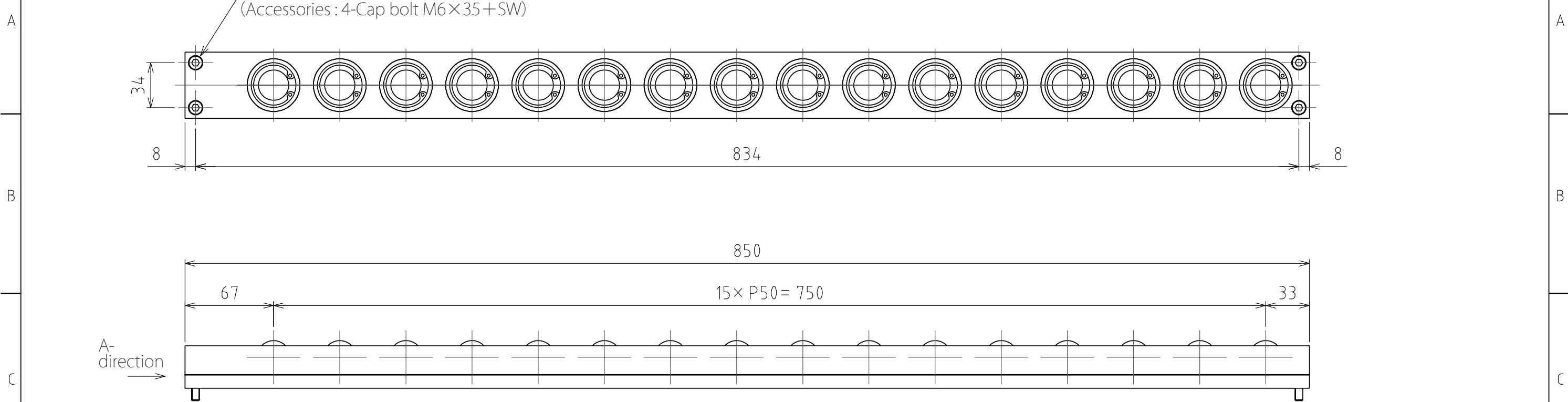
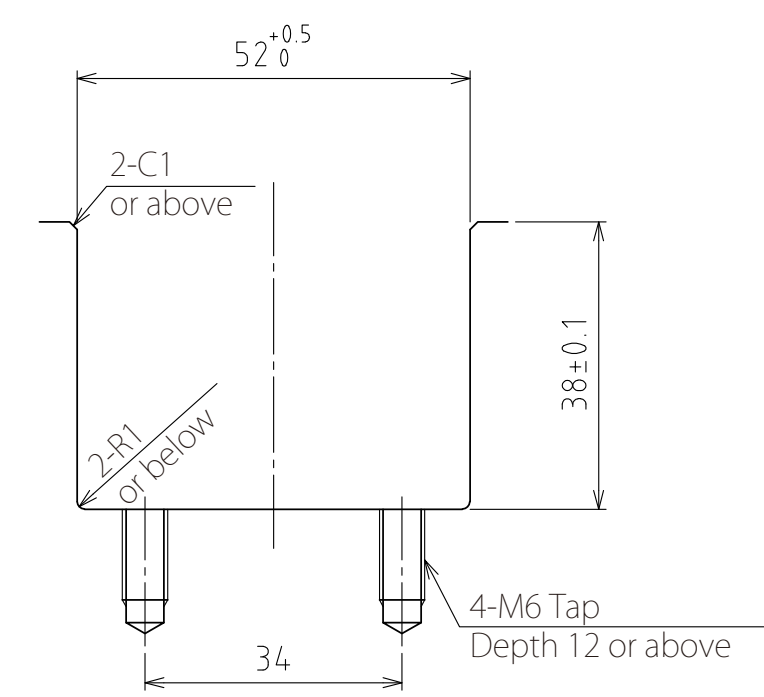
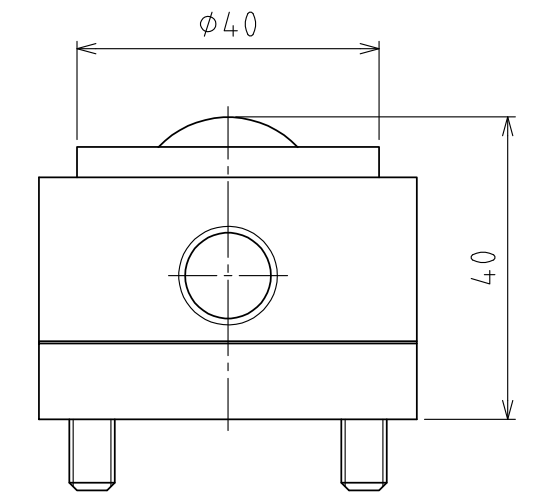
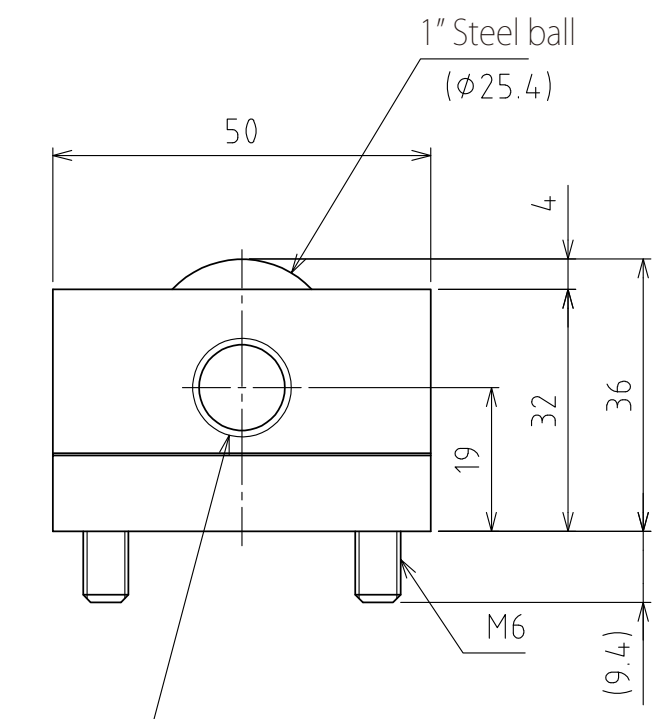
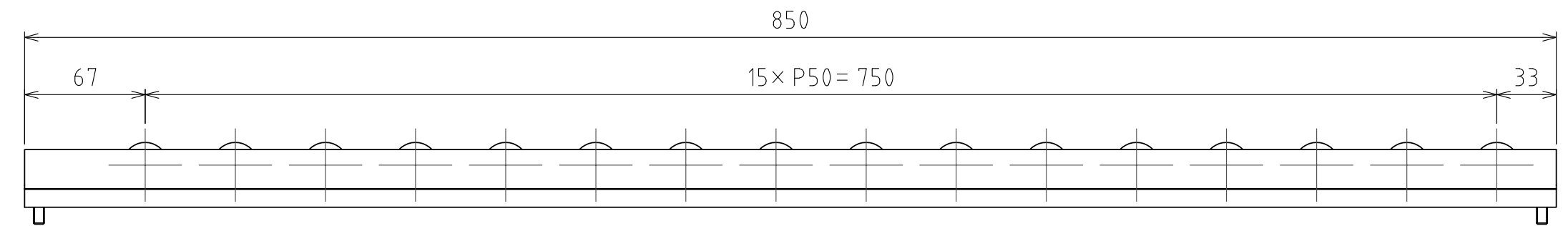
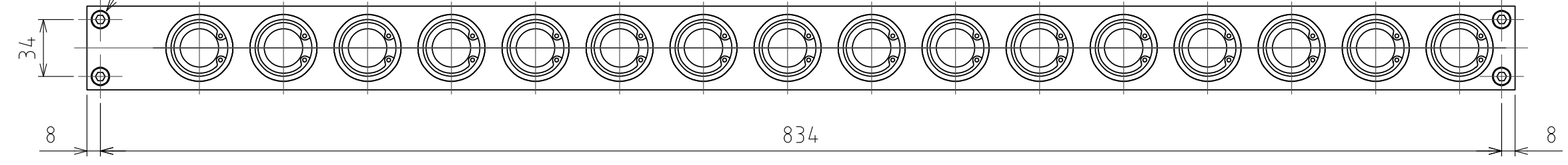


1 2 3 4 5 6 7 8



4- $\phi 6.5 \phi 11$ Countersink Depth 8
(Accessories : 4-Cap bolt M6 \times 35+SW)



spec

Series	AFU-65L series	
Freebear	16pcs	
Material	Ball	SUJ2
	Ball seat	SCM415
	Body	Steel
Weight	9.2kg	

Capacity	Air pressure [MPa(kgf/cm ²)]	Load capacity (Unit) [kN(kgf)]	Load capacity (One freebear) [kN(kgf)]
	0.3 (3.1)	6.16(628.2)	0.39(39.3)
0.4 (4.1)	8.16(832.1)	0.51(52.0)	
0.5 (5.1)	10.24(1044.2)	0.64(65.3)	
0.6 (6.1)	12.32(1256.3)	0.77(78.5)	

Rc1/4

View A

Rising
(stroke 4mm)

Recommended groove dimensions

(Scale 1:1)

設計 DESIGNED BY	古内	2021/07/29	名称 TITLE
製図 DRAWN BY	古内	2021/07/29	Pneumatically Actuated freebear unit
検図 CHECKED BY	技術部 坂根	承認 APPROVED BY	技術部 花村
尺度 SCALE	1:3	サイズ SIZE	A3
第三角法			AFU-65L-16-850
			図面番号 DRAWING NO. SD-00111-F04
			変更回数 REV.MARK

1 2 3 4 5 6 7 8