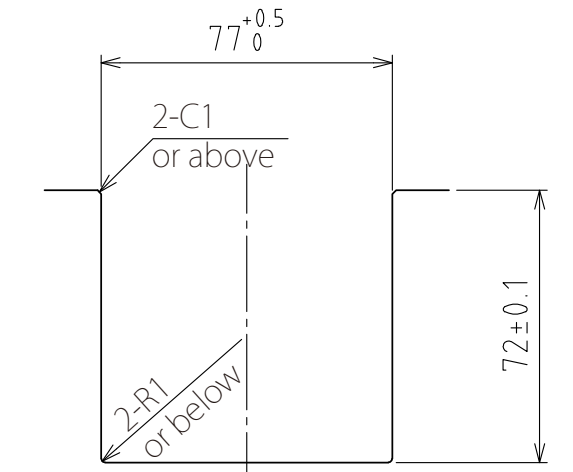
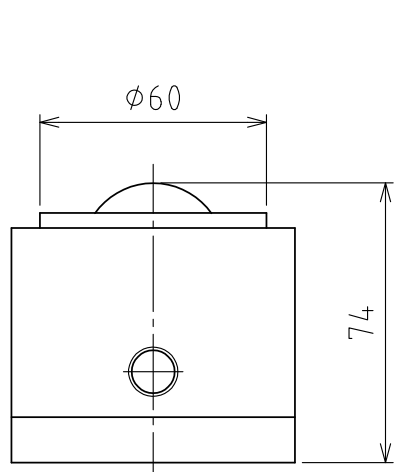
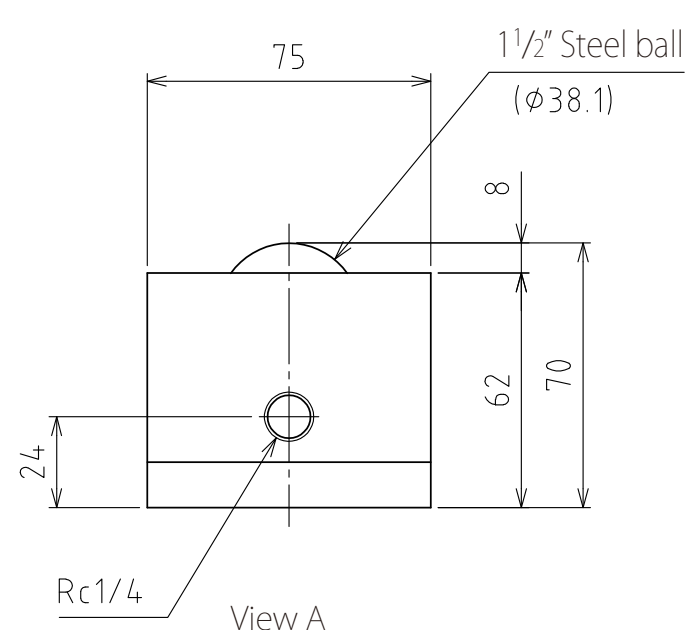


A-direction
→



Recommended groove dimensions

spec

Series	AFU-7570 series	
Freebear	3pcs	
Material	Ball	SUJ2
	Ball seat	SCM415
	Body	Steel
Weight	9.9kg	

Capacity	Air pressure [MPa(kgf/cm ²)]	Load capacity (Unit) [kN(kgf)]	Load capacity (One freebear) [kN(kgf)]
	0.3 (3.1)	2.40(244.8)	0.80(81.6)
	0.4 (4.1)	3.18(324.3)	1.06(108.1)
	0.5 (5.1)	3.99(406.9)	1.33(135.6)
	0.6 (6.1)	4.80(489.5)	1.60(163.2)

設計 DESIGNED BY	古内	2021/07/29	名称 TITLE	Pneumatically Actuated freebear unit
製図 DRAWN BY	古内	2021/07/29		
検図 CHECKED BY	坂根	21.11.27	承認 APPROVED BY	花村
尺度 SCALE	1:2	サイズ SIZE	A3	AFU-7570-3
第三角法				
			図面番号 DRAWING NO.	変更回数 REV.MARK
			SD-01320-F01	