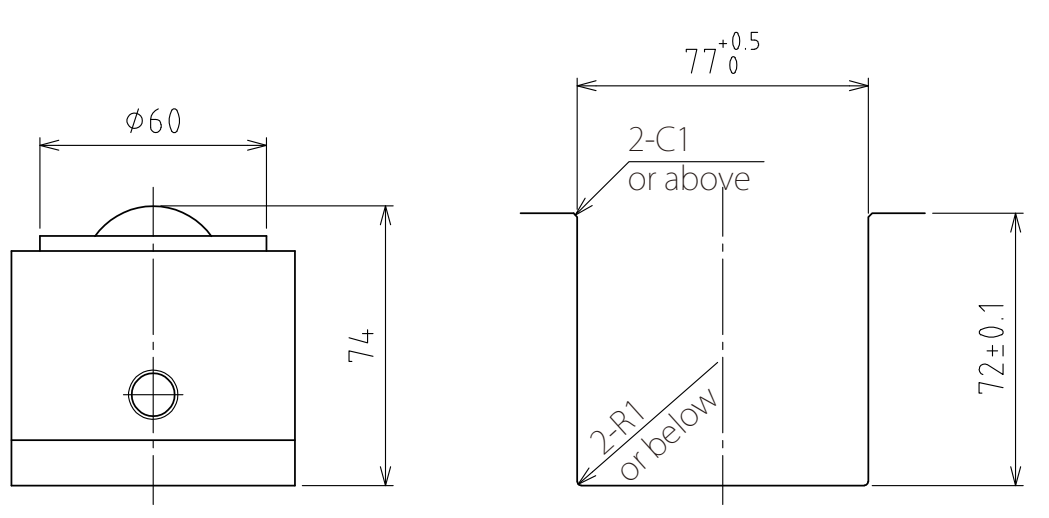
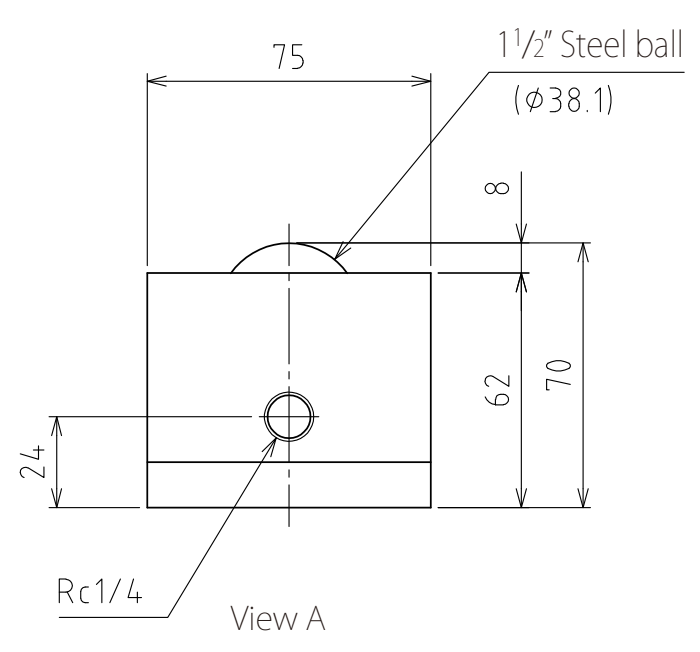


A-direction  
→



spec

Series	AFU-7570 series	
Freebear	7pcs	
Material	Ball	SUJ2
	Ball seat	SCM415
	Body	Steel
Weight	19.4kg	

Capacity	Air pressure [ MPa(kgf/cm <sup>2</sup> ) ]	Load capacity (Unit) [ kN(kgf) ]	Load capacity (One freebear) [ kN(kgf) ]
	0.3 (3.1)	5.60(571.1)	0.80(81.6)
0.4 (4.1)	7.42(756.6)	1.06(108.1)	
0.5 (5.1)	9.31(949.4)	1.33(135.6)	
0.6 (6.1)	11.20(1142.1)	1.60(163.2)	

設計 DESIGNED BY	古内	2021/07/29	名称 TITLE
製図 DRAWN BY	古内	2021/07/29	Pneumatically Actuated freebear unit
検図 CHECKED BY	技術部 坂根	承認 APPROVED BY	技術部 花村
尺度 SCALE	1:2	サイズ SIZE	A3
第三角法			AFU-7570-7
			図面番号 DRAWING NO. SAU12401-F03
			変更回数 REV.MARK