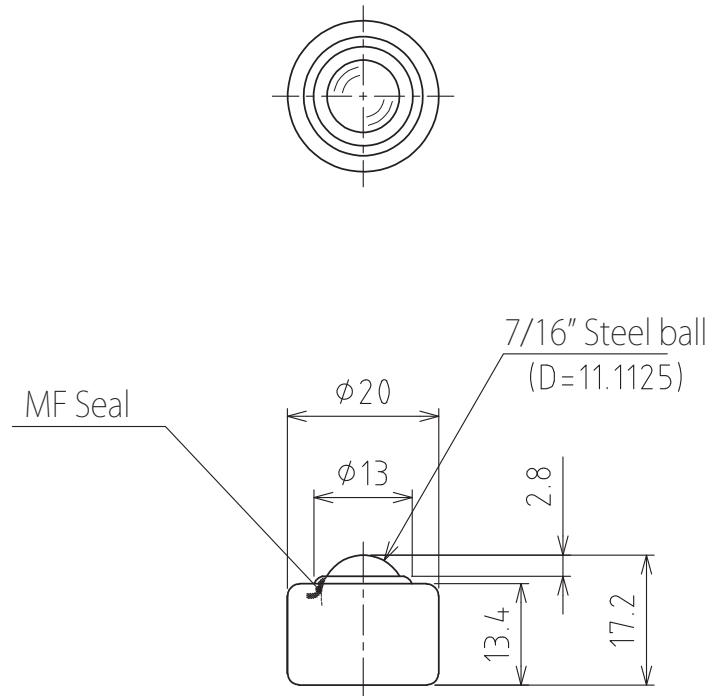


C-3S-MF



Spring sinking allowance : 1.8mm
Mounting strength : 49N(5kgf)
Max. strength : 68N(7kgf)

Allowable load : 49N(5kgf)
Weight : 18g