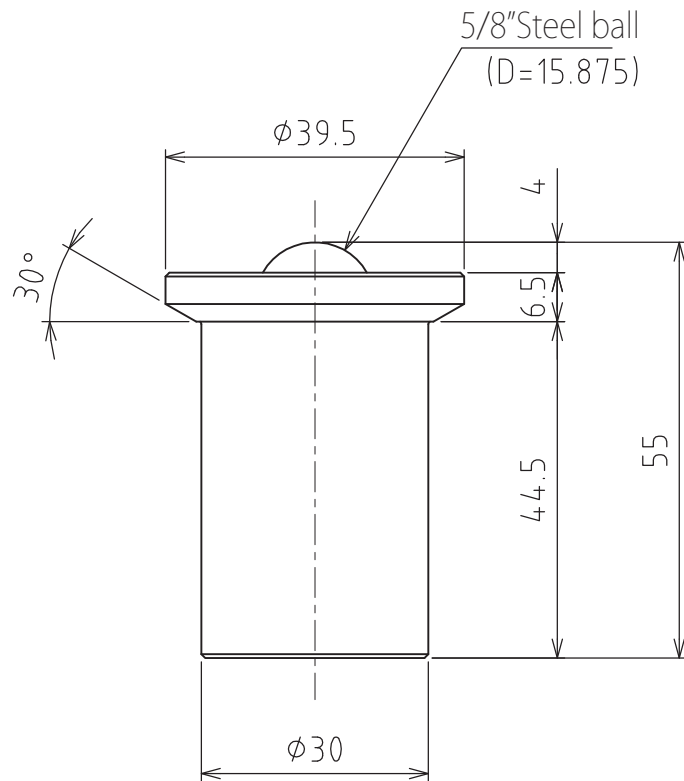
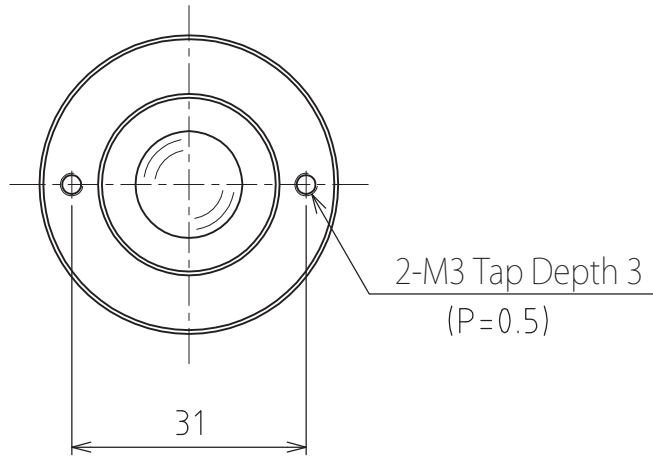


# C-5HS-50



Spring sinking allowance : 2mm  
Mounting strength : 490N(50kgf)  
Strength required to sink by 2mm : 618N(63kgf)

Allowable load : 490N(50kgf)  
Weight : 220g