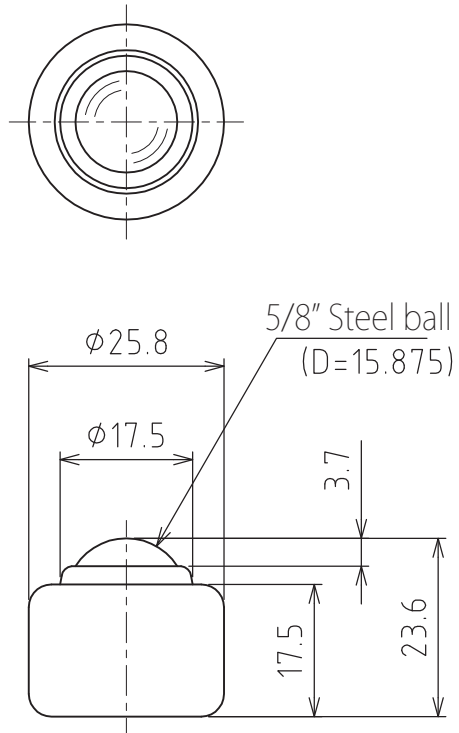


C-5S



Spring sinking allowance : 2mm
Mounting strength : 78N(8kgf)
Max. strength : 107N(11kgf)

Allowable load : 78N(8kgf)
Weight : 37g