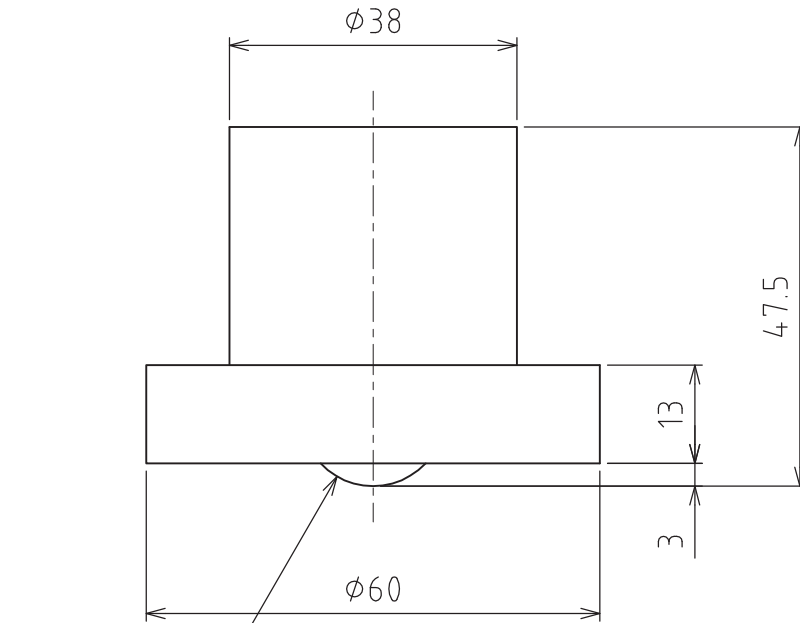
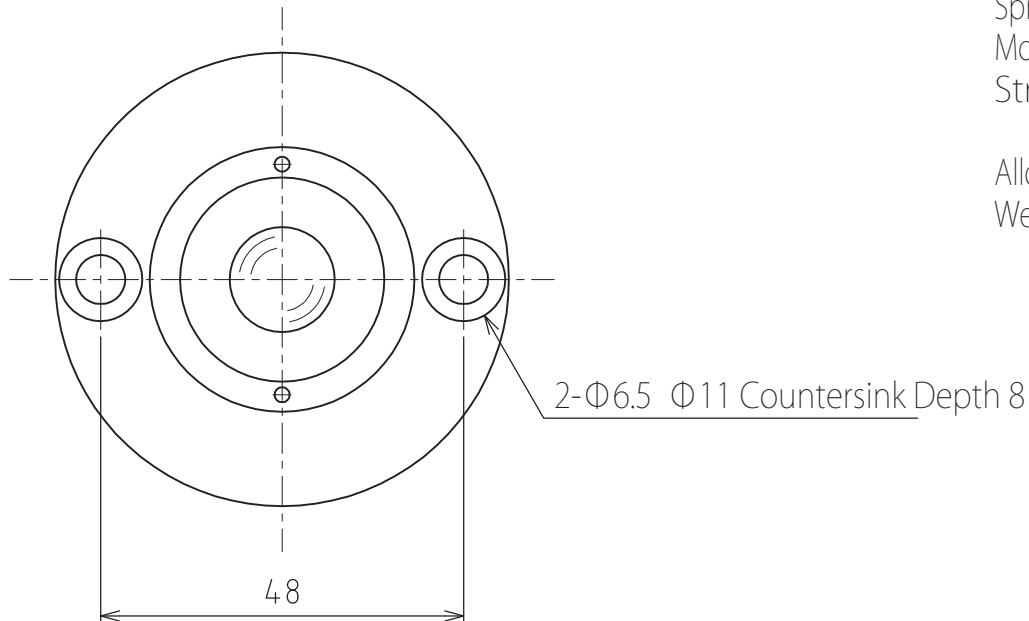


# C-6DS



3/4"Steel ball  
(D=19.05)



Spring sinking allowance : 2mm  
Mounting strength : 490N(50kgf)  
Strength required to sink by 2mm : 736N(75kgf)

Allowable load : 490N(50kgf)  
Weight : 470g