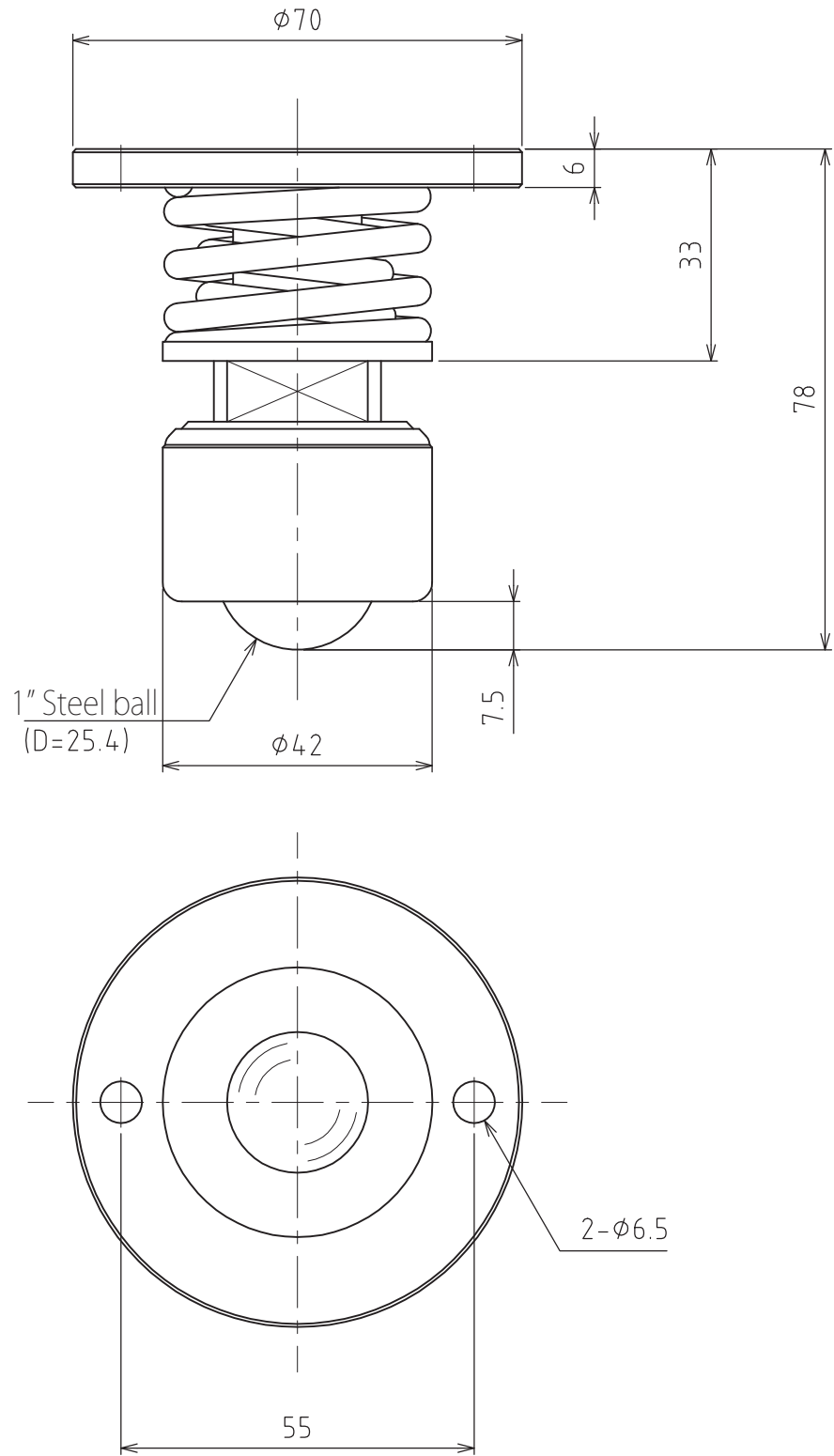


C-8DZ



Spring sinking allowance : 2mm
Mounting strength : 784N(80kgf)
Max. strength : 1029N(105kgf)

Allowable load : 784N(80kgf)
Weight : 672g