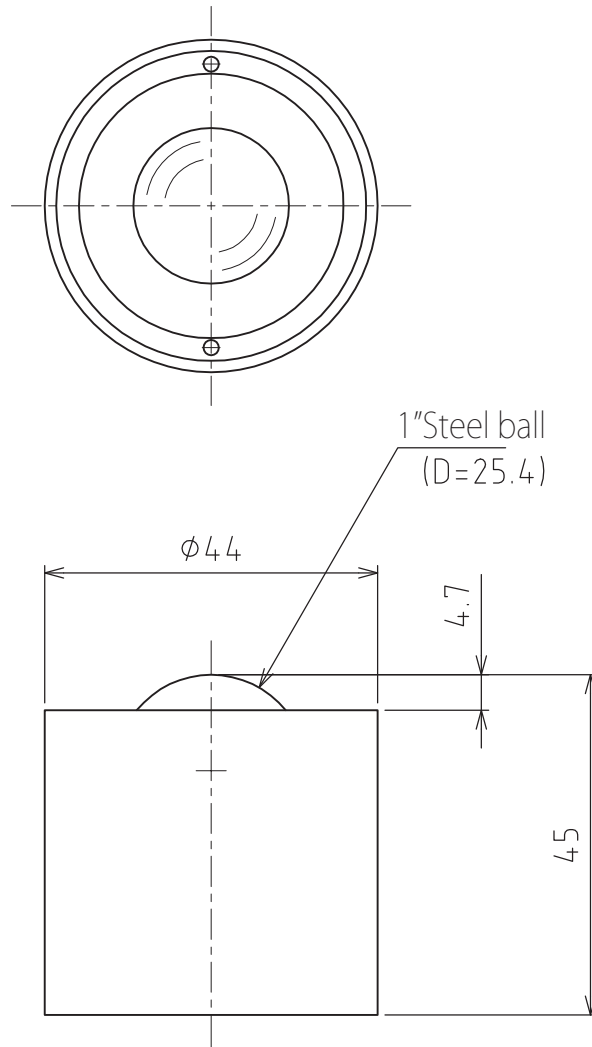


C-8HS



Spring sinking allowance : 2mm
Mounting strength : 980N(100kgf)
Strength required to sink by 2mm : 1764N(180kgf)

Allowable load : 980N(100kgf)
Weight : 345g