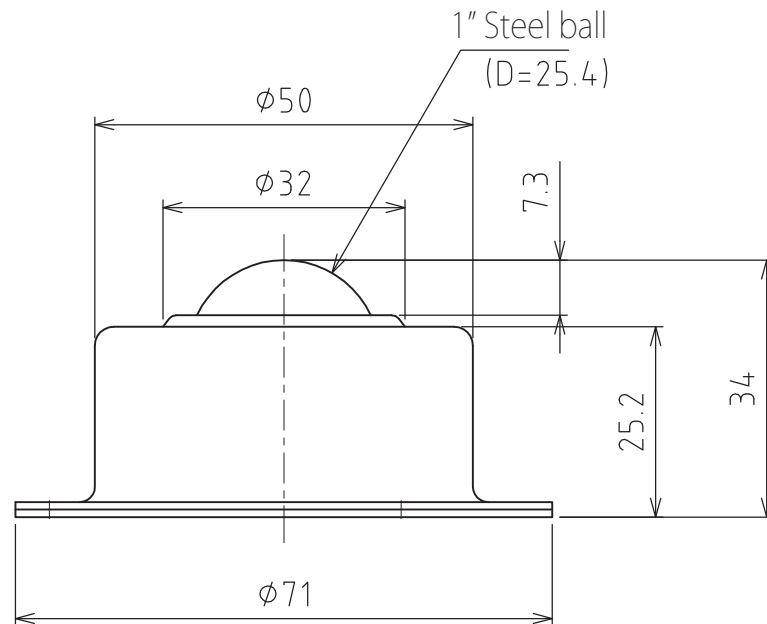
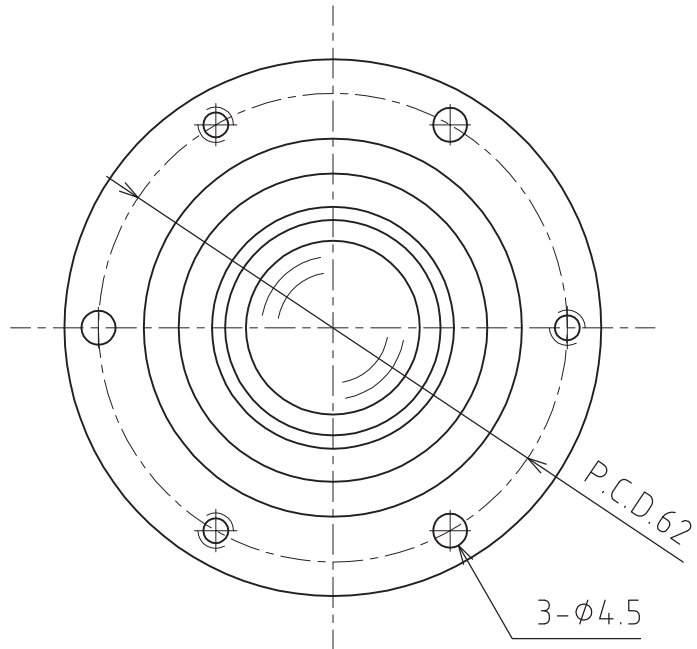


# C-8S



Spring sinking allowance : 2.5mm  
Mounting strength : 196N(20kgf)  
Max. strength : 294N(30kgf)

Allowable load : 196N(20kgf)  
Weight : 238g