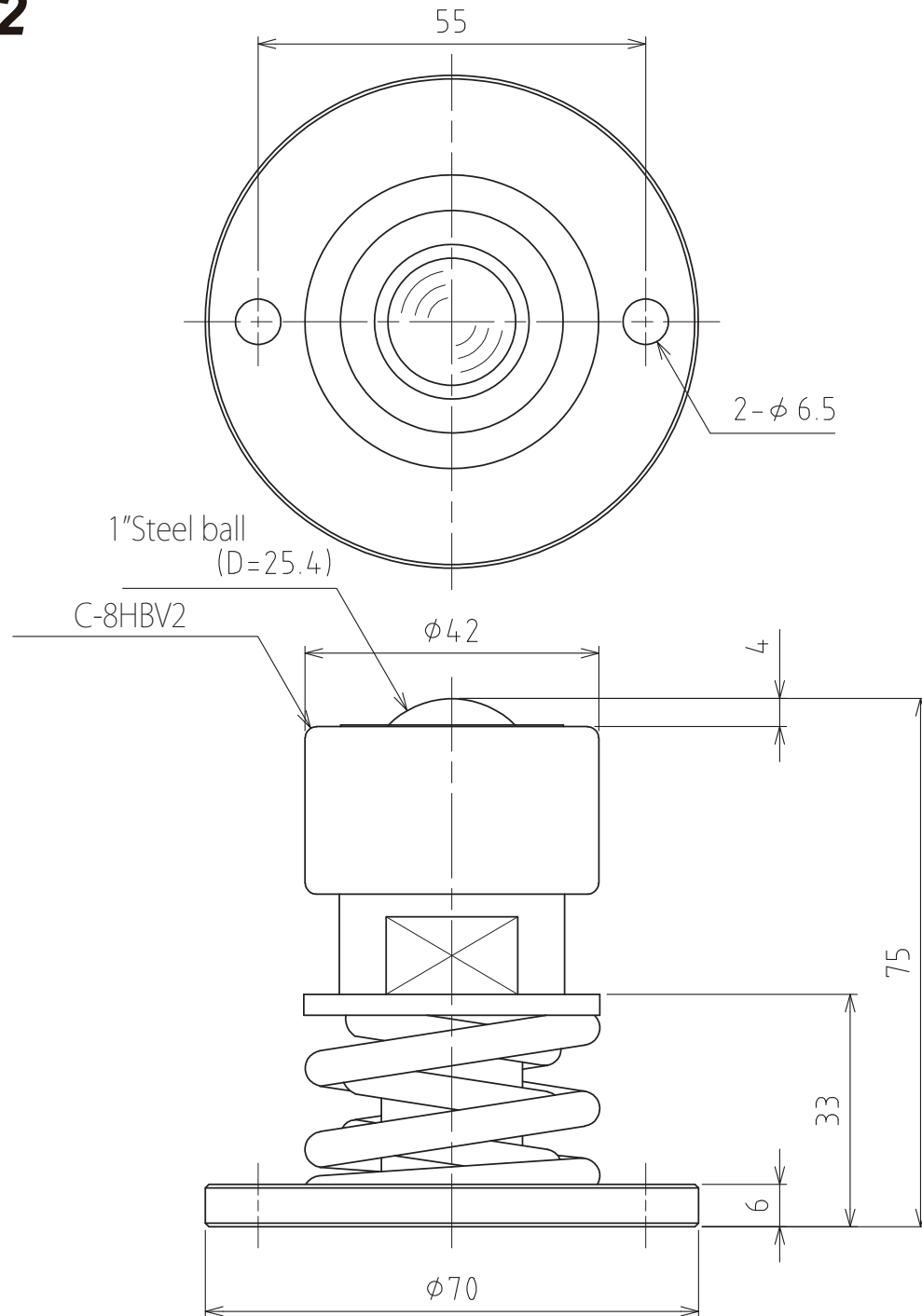


C-8ZBV2



Spring sinking allowance : 2mm
Mounting strength : 980N(100kgf)
Max. strength : 1274N(130kgf)

Allowable load : 980N(100kgf)
Weight : 659g