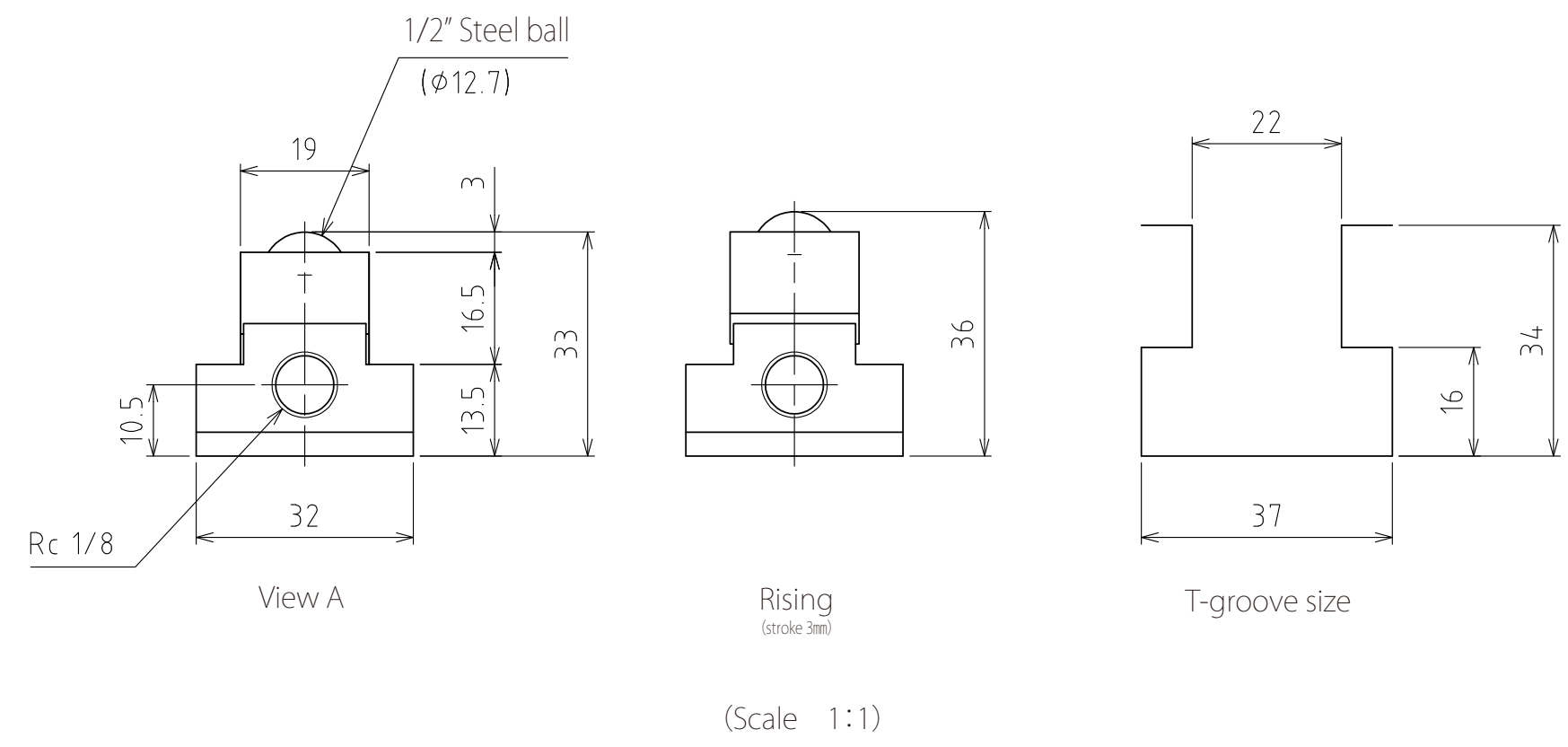
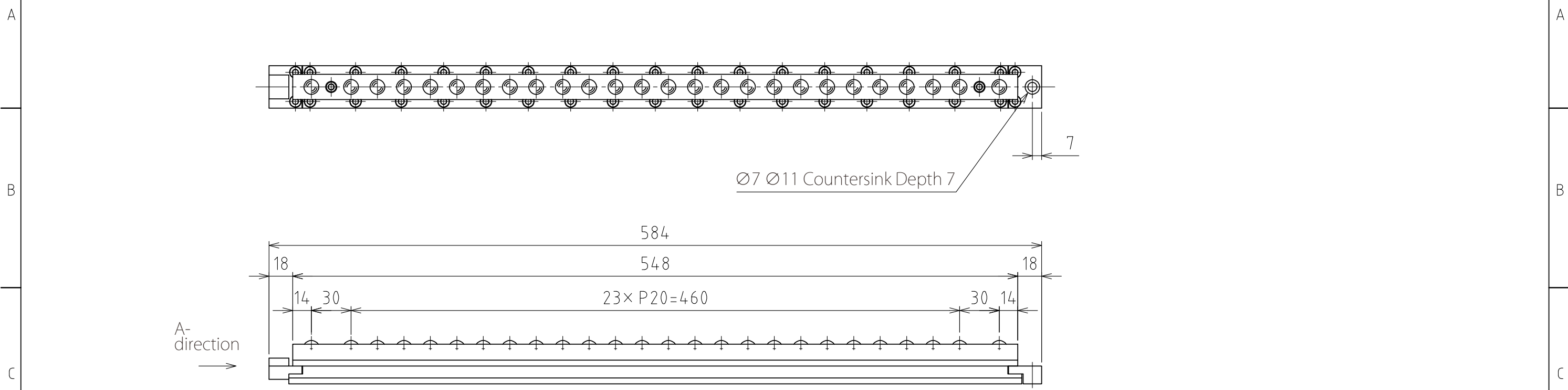


1 2 3 4 5 6 7 8



spec

	Series	FAD22T series
Material	Ball	SUJ2
	Ball seat	SCM415
	Body	Steel
Means to lower the balls		Spring return system (lowers by exhausting)
Weight		2.7kg

Capacity	Air pressure [MPa(kgf/cm ²)]	Load capacity (Unit) [kN(kgf)]
	0.3 (3.1)	1.96(199.9)
	0.4 (4.1)	2.36(240.7)
	0.5 (5.1)	3.14(320.2)
	0.6 (6.1)	3.92(399.7)

設計 DESIGNED BY	古内	2021/07/26	名称 TITLE
製図 DRAWN BY	古内	2021/07/26	
検図 CHECKED BY	坂根	21.11.29	FAD22T-600
承認 APPROVED BY	花村	21.11.30	
尺度 SCALE	1:3	サイズ SIZE	A3
第三角法			☉
			図面番号 DRAWING NO. SD-00332-F01
			変更回数 REV.MARK

1 2 3 4 5 6 7 8