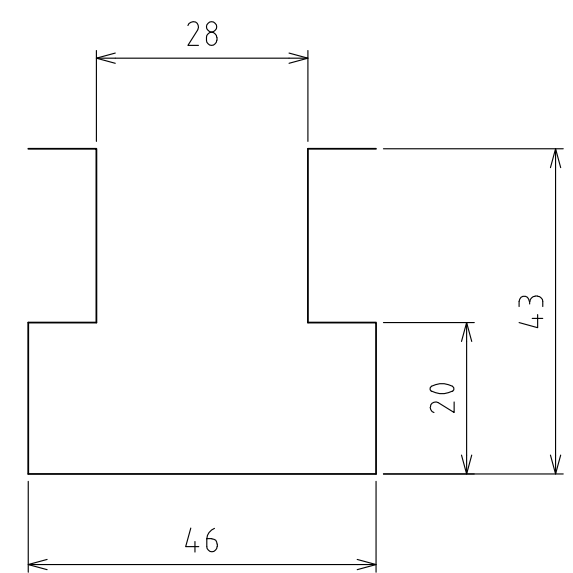
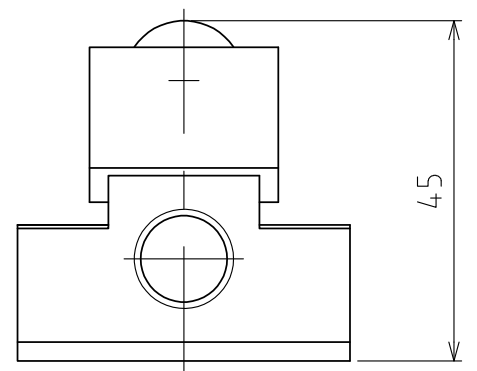
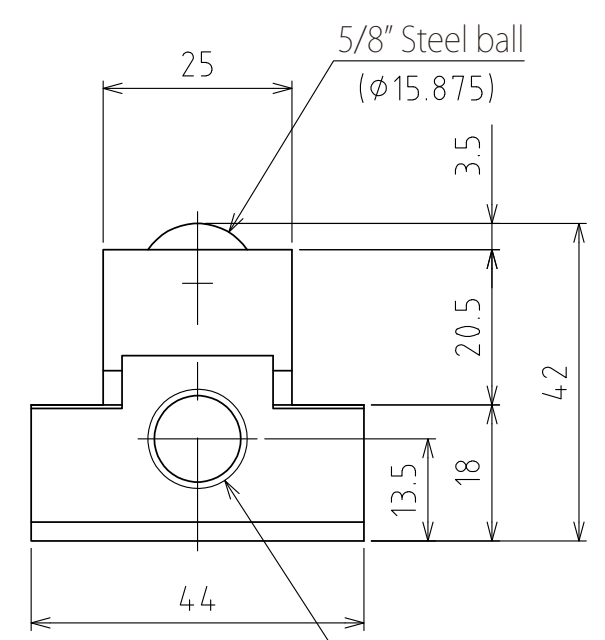
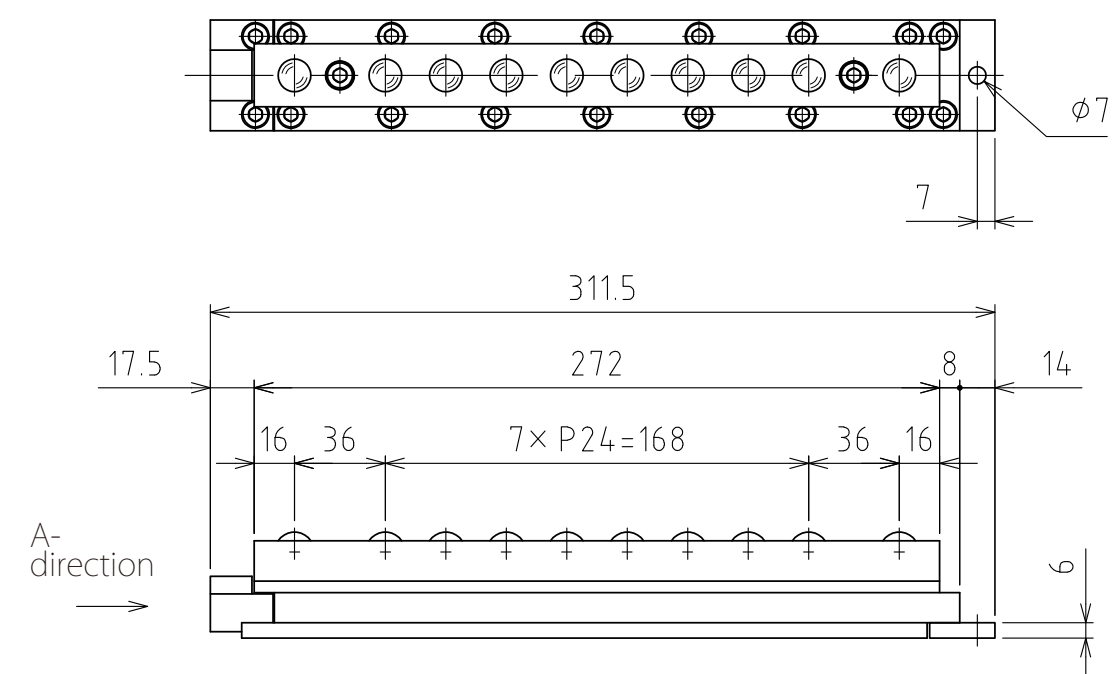


1 2 3 4 5 6 7 8

A  
B  
C  
D  
E  
F



View A

Rising  
(stroke 3mm)

T-groove size

(Scale 1:1)

spec

Series	FAD28T series	
Material	Ball	SUJ2
	Ball seat	SCM415
	Body	Steel
Means to lower the balls	Spring return system (lowers by exhausting)	
Weight	2.6kg	

Capacity	Air pressure [MPa(kgf/cm <sup>2</sup> )]	Load capacity (Unit) [kN(kgf)]
	0.3 (3.1)	1.23(124.9)
	0.4 (4.1)	1.47(149.9)
	0.5 (5.1)	1.96(199.9)
	0.6 (6.1)	2.45(249.8)

設計 DESIGNED BY	古内	2021/07/26	名称 TITLE Pneumatically Actuated freebear unit
製図 DRAWN BY	古内	2021/07/26	
検図 CHECKED BY	技術部 坂根	承認 APPROVED BY	技術部 花村
尺度 SCALE	1:3	サイズ SIZE	A3
第三角法			
			図面番号 DRAWING NO. SD-01415-F01
			変更回数 REV.MARK

1 2 3 4 5 6 7 8