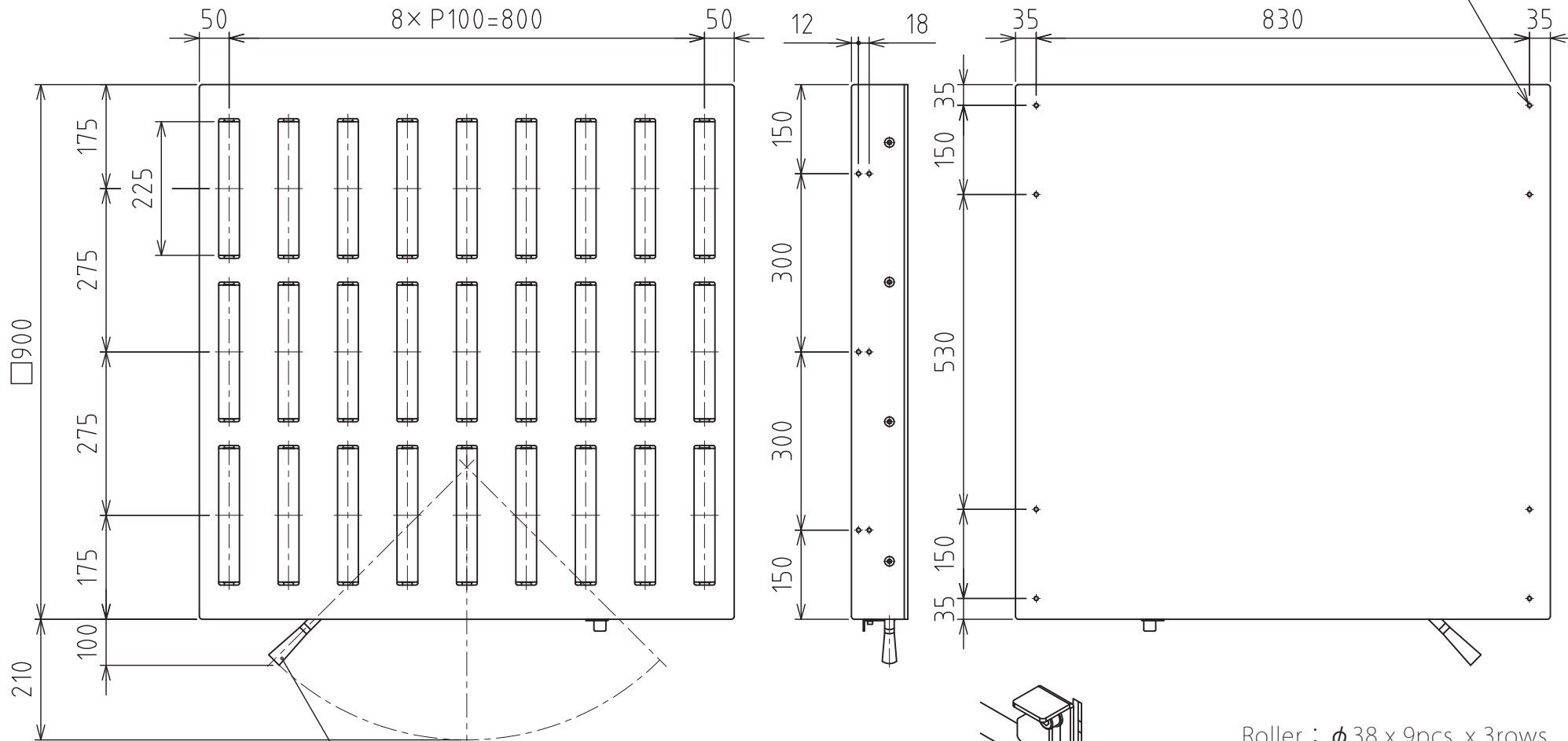


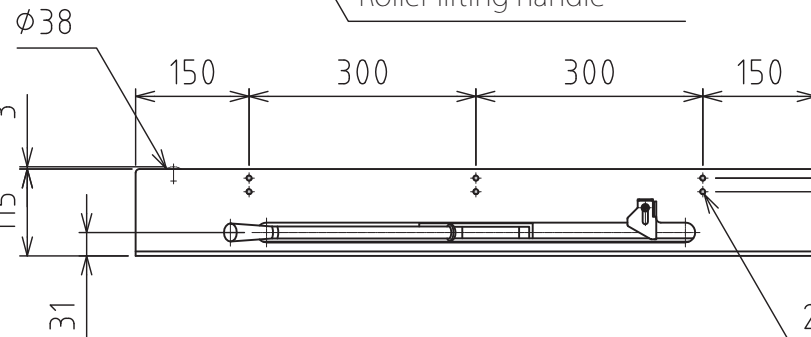
HRT-9

8-M8

Bottom plate thickness 6mm
Bolt screwing-in depth 15mm (max.)

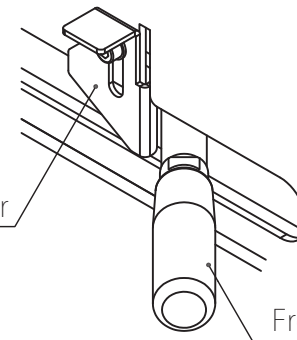


Protruding amount of roller when raised



Roller lifting handle

Handle stopper



Freebear lifting handle

Roller : $\phi 38$ x 9pcs. x 3rows
Load capacity : 500kg
Weight : 160kg

24-M8 (for mounting the fixed guide and removable guide)

※The guide can be mounted on four sides respectively

