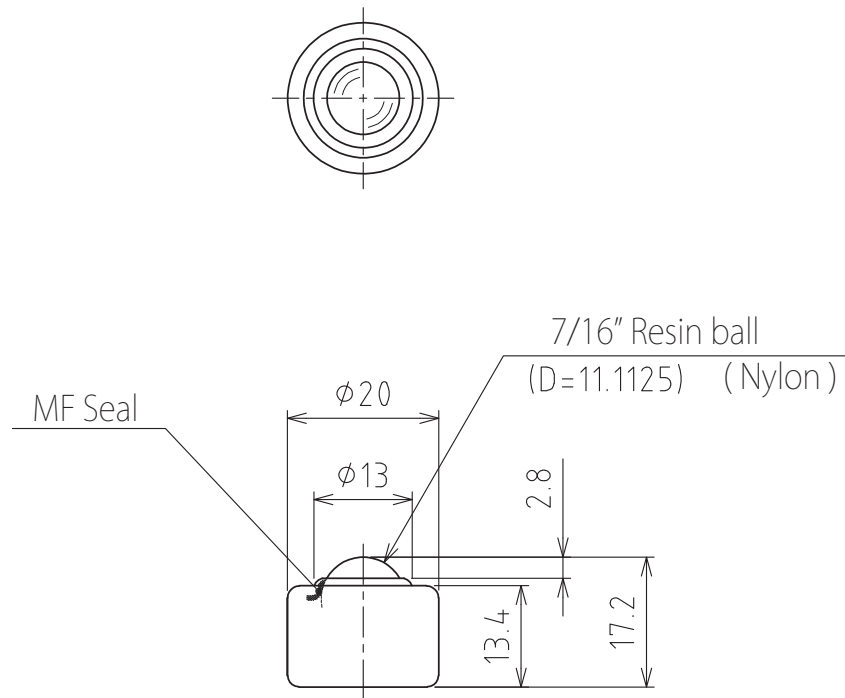


# P-3S-MF



Spring sinking allowance : 1.8mm  
Mounting strength : 9.8N(1kgf)  
Max. strength : 14.7N(1.5kgf)

Allowable load : 9.8N(1kgf)  
Weight : 12g