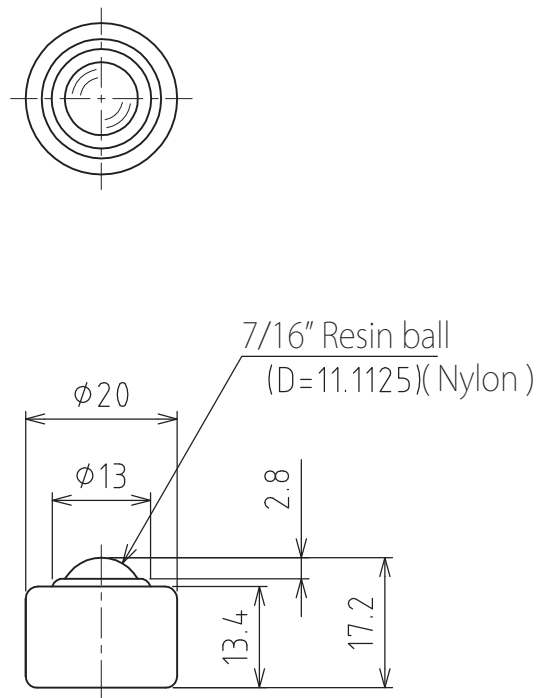


P-3S



Spring sinking allowance : 1.8mm
Mounting strength : 9.8N(1kgf)
Max. strength : 14.7N(1.5kgf)

Allowable load : 9.8N(1kgf)
Weight : 12g