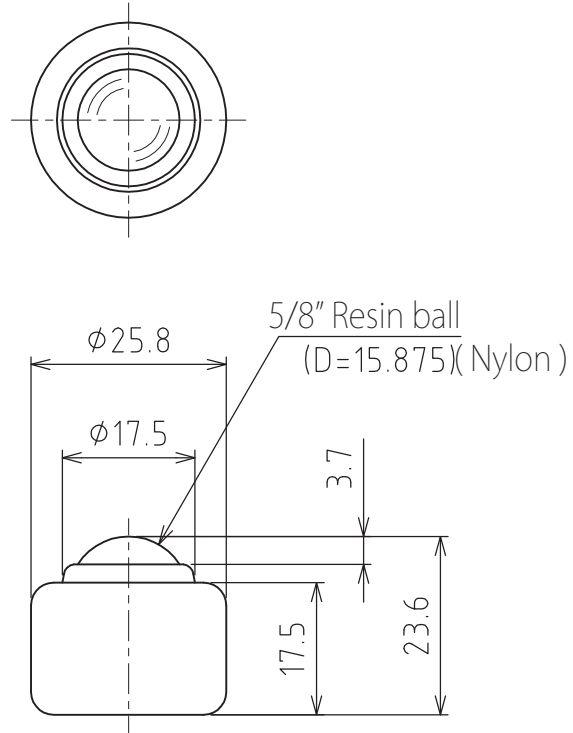


# P-5S



Spring sinking allowance : 2mm  
Mounting strength : 19.6N(2kgf)  
Max. strength : 34.3N(3.5kgf)

Allowable load : 19.6N(2kgf)  
Weight : 21g