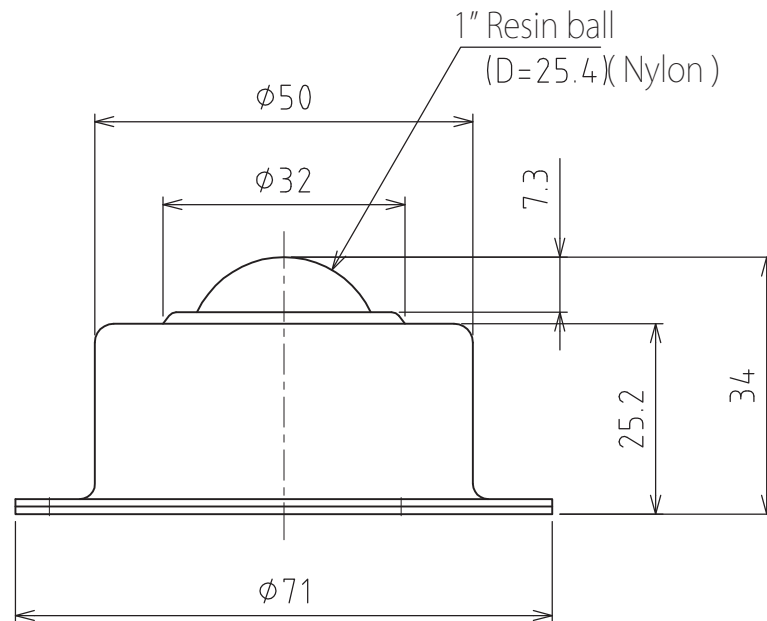
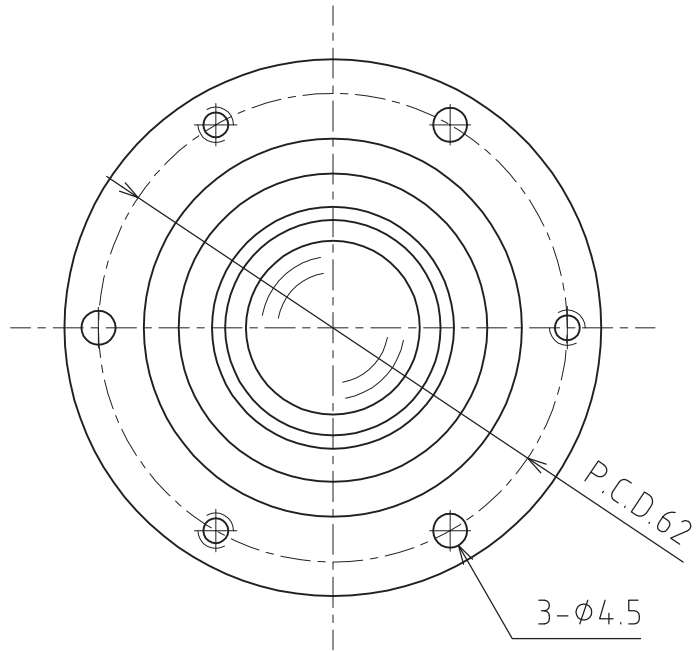


P-8S



Spring sinking allowance : 2.5mm
Mounting strength : 49N(5kgf)
Max. strength : 58.8N(6kgf)

Allowable load : 49N(5kgf)
Weight : 161g