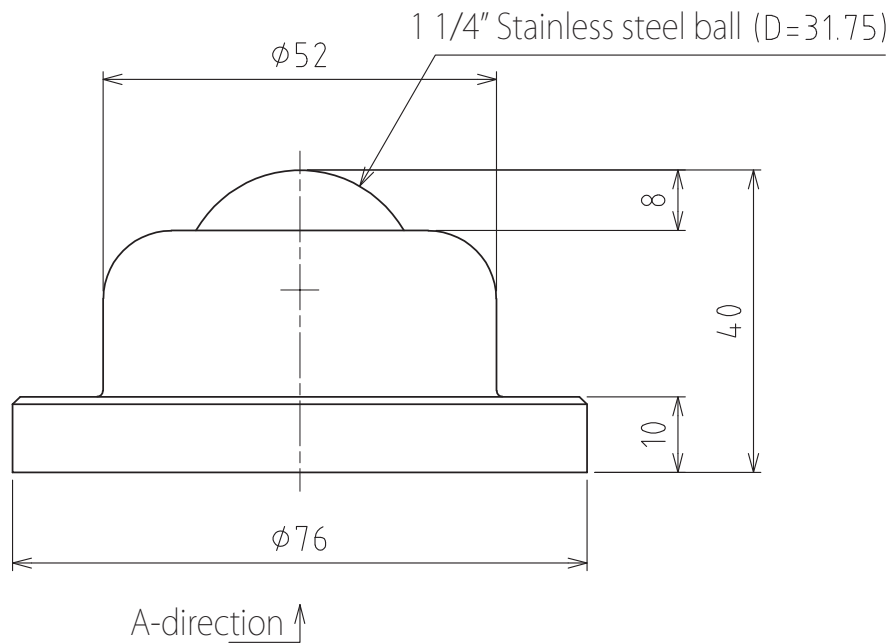
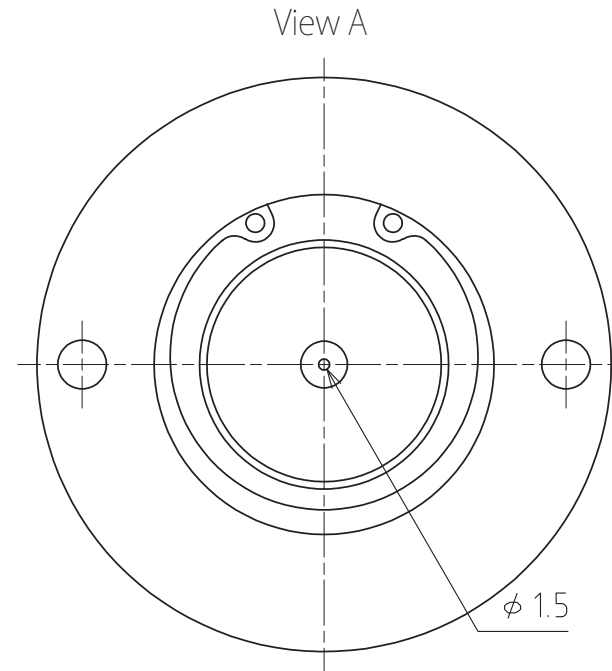
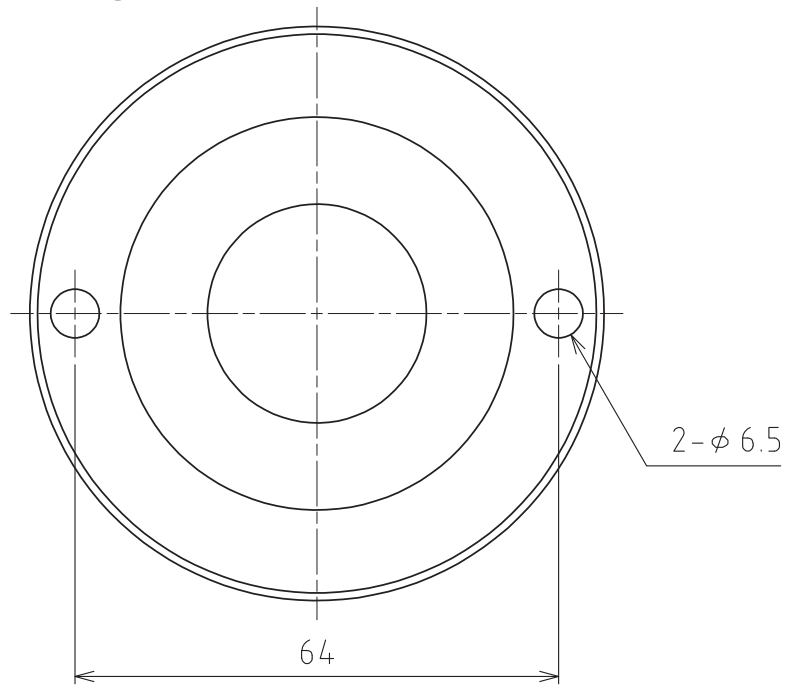


S-10HALV2-CR



Precision washing • Clean packaging

Allowable load : 1568N(160kgf)

Max. load : 3136N(320kgf)

Weight : 413g