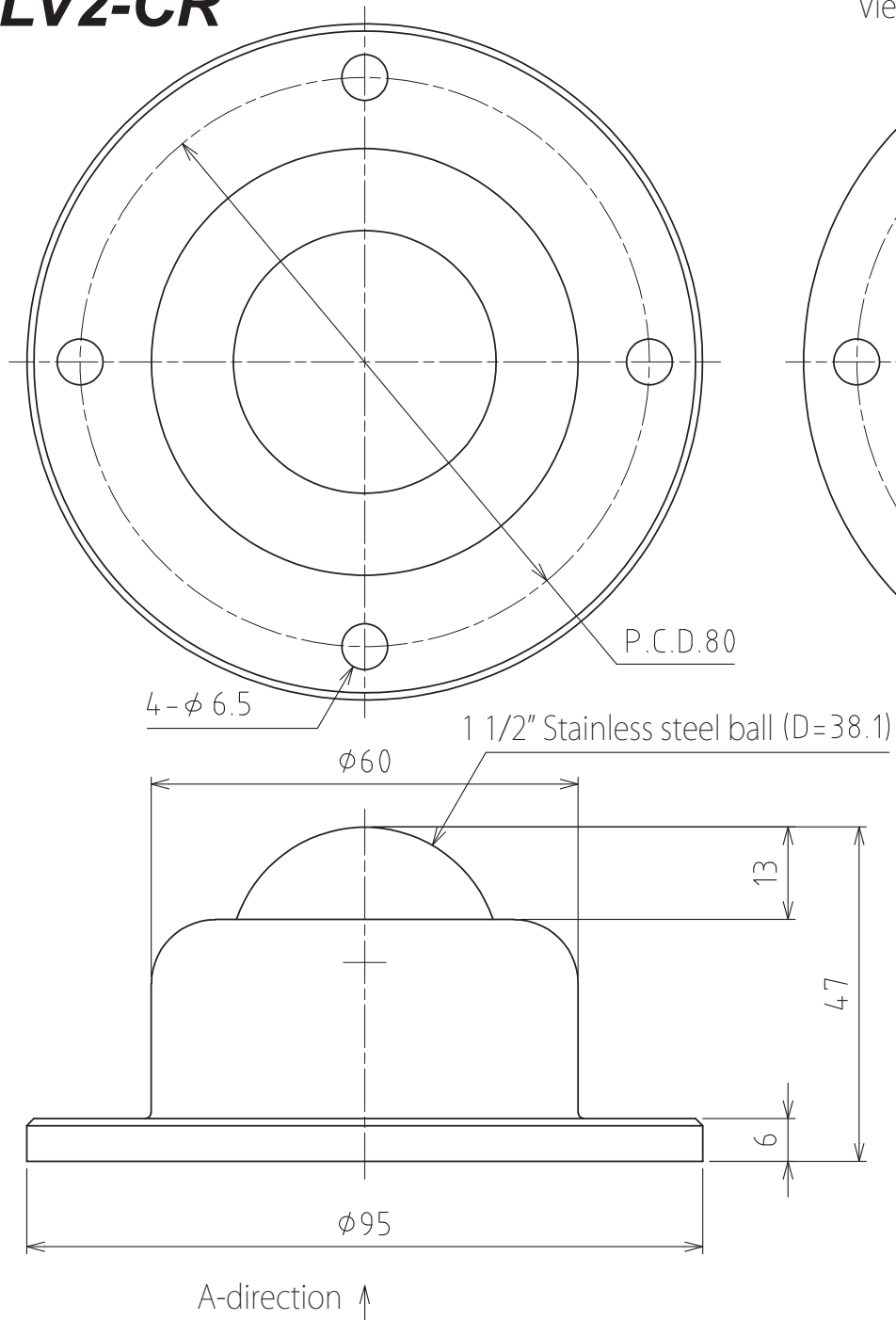
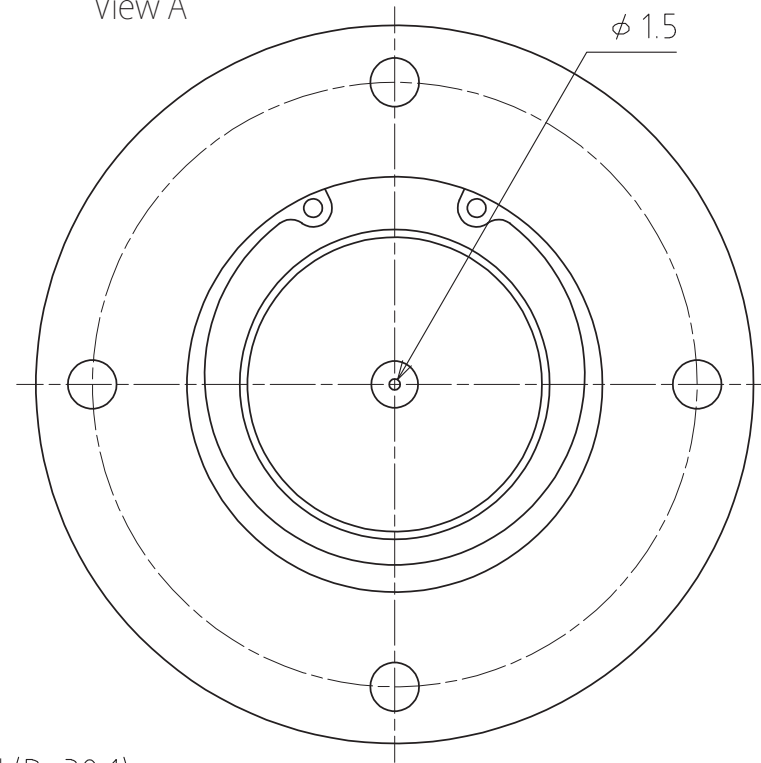


S-12HALV2-CR



View A



Precision washing • Clean packaging

Allowable load : 2940N(300kgf)

Max. load : 5880N(600kgf)

Weight : 635g