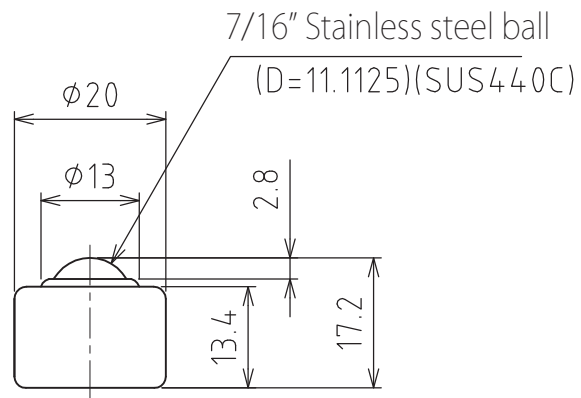
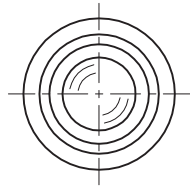


S-3S



Spring sinking allowance : 1.8mm
Mounting strength : 49N(5kgf)
Max. strength : 68N(7kgf)

Allowable load : 49N(5kgf)
Weight : 17g